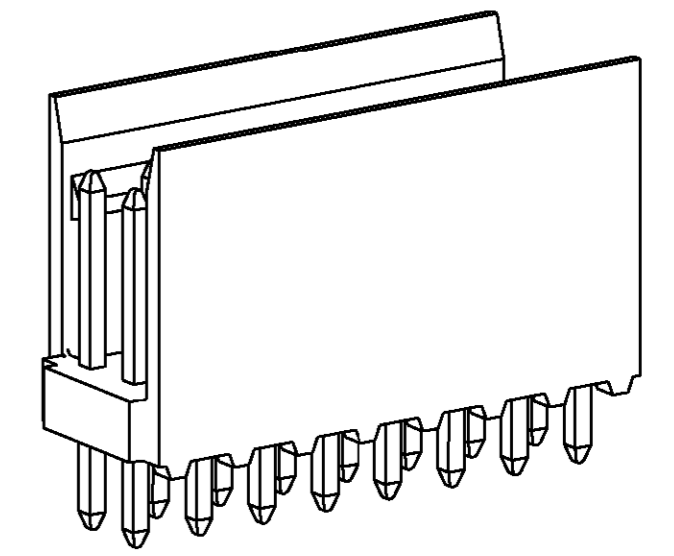
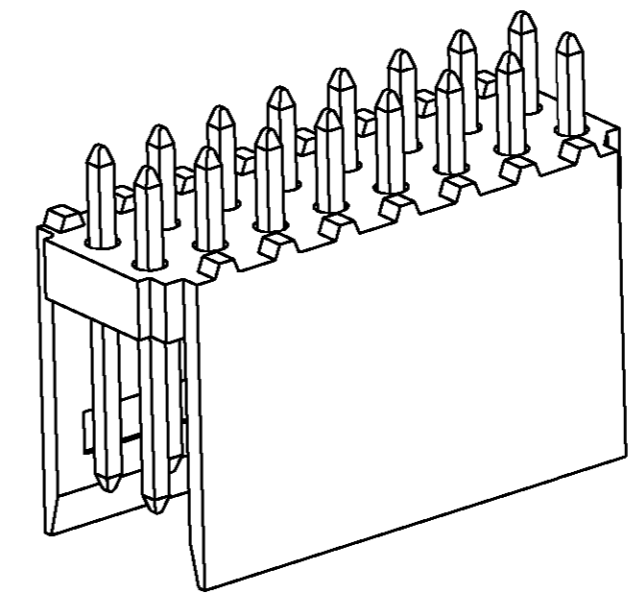
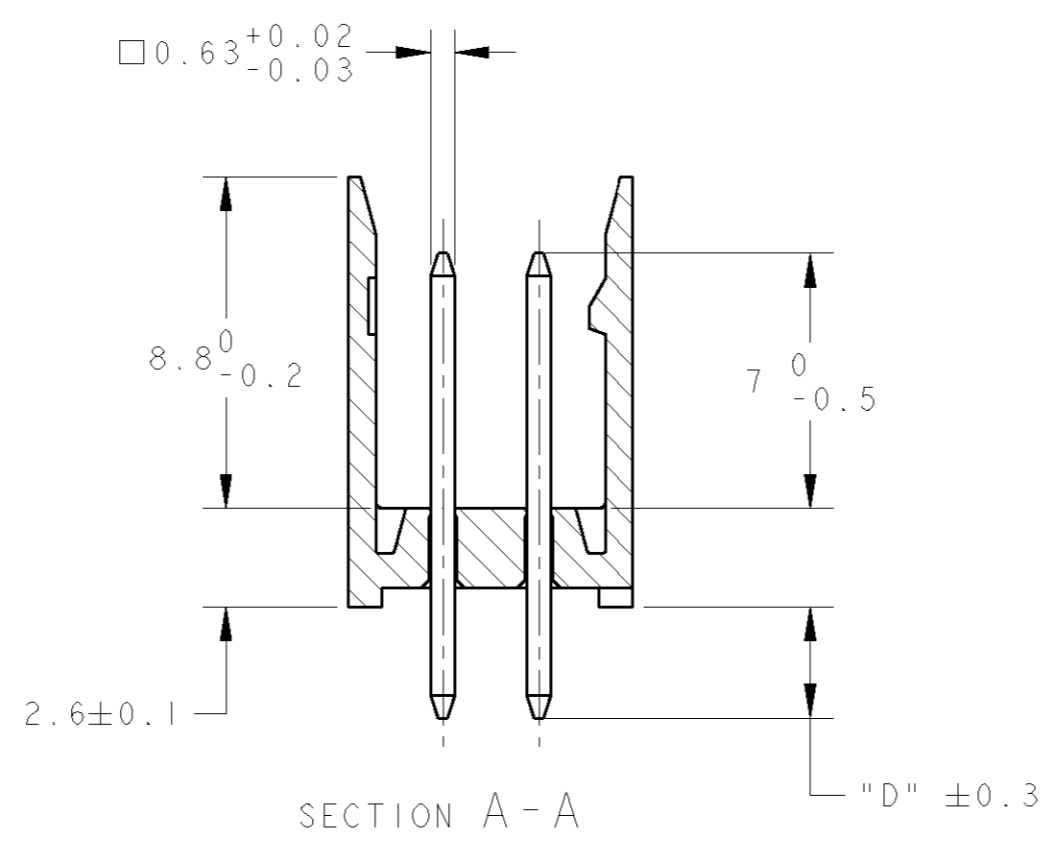
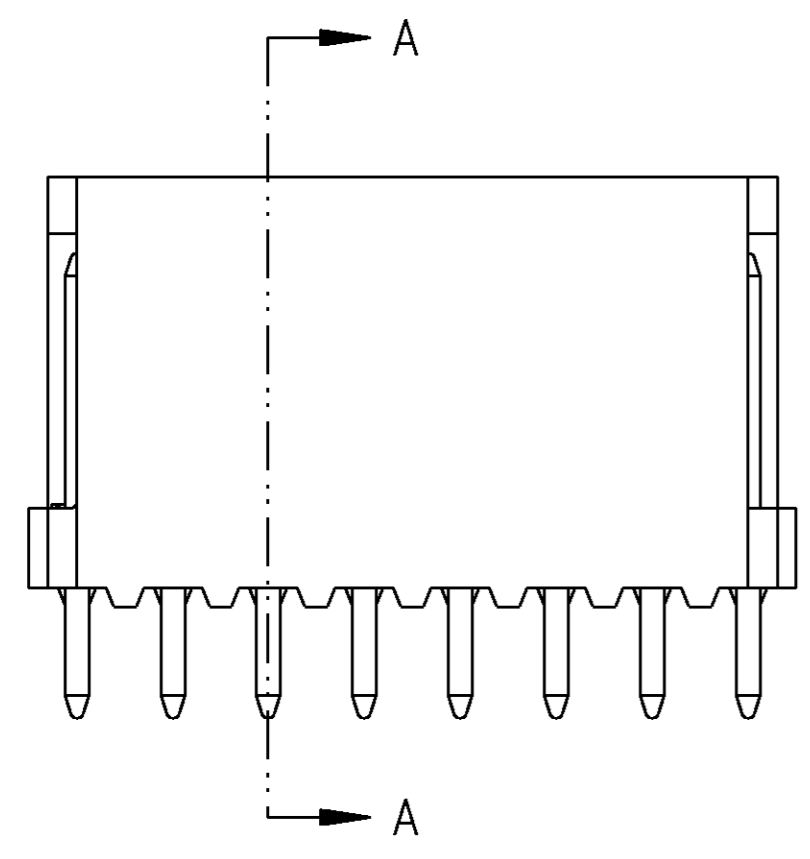


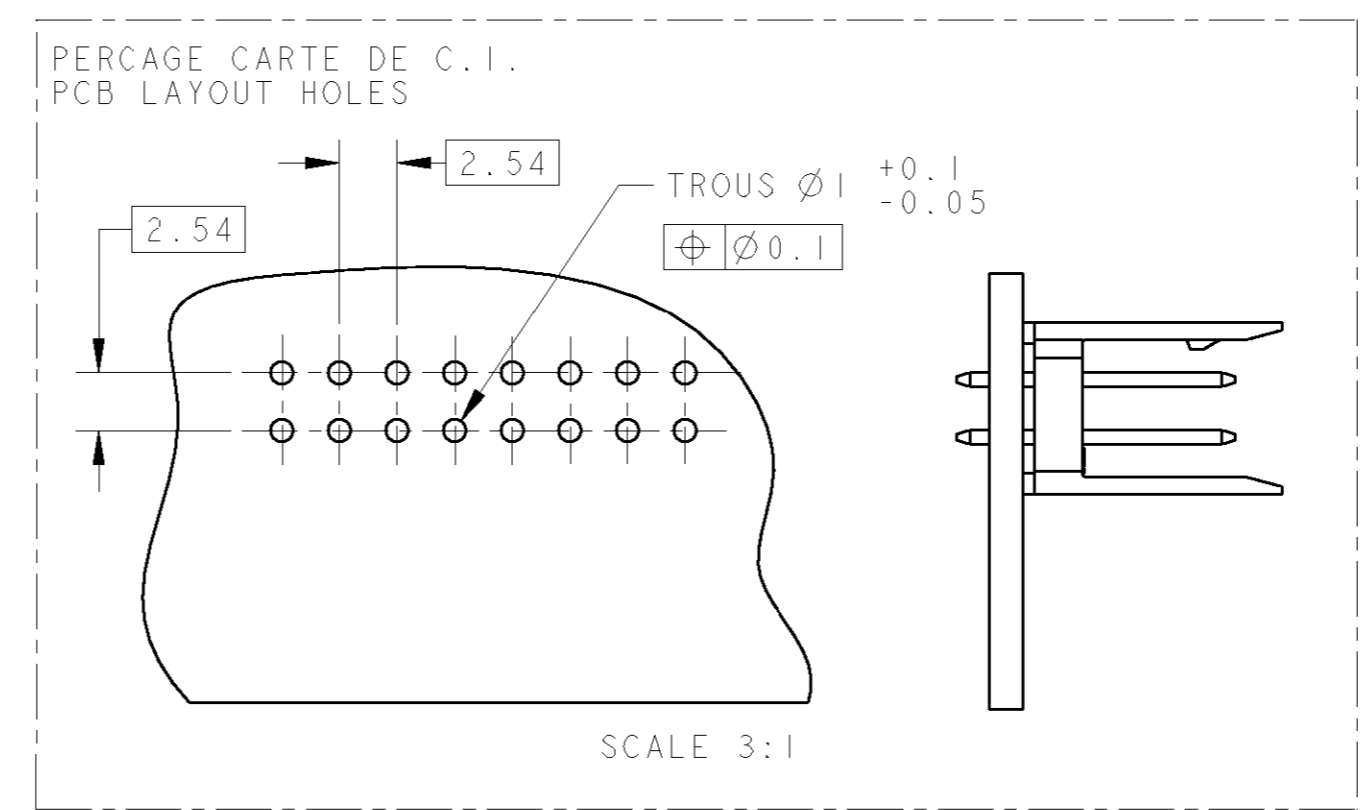
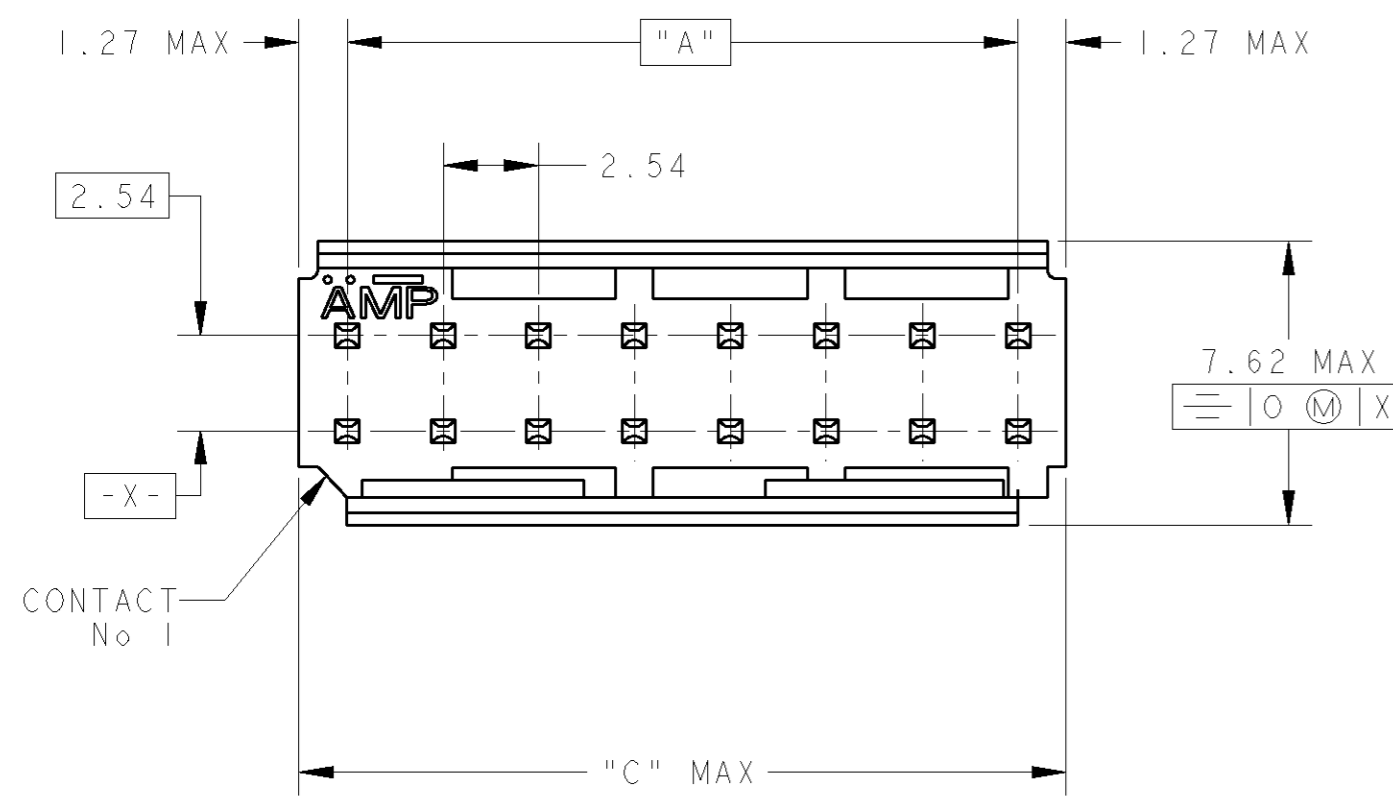
THIS DRAWING IS UNPUBLISHED.
 DIFFUSION RESTREINTE
 © COPYRIGHT 20 BY TYCO ELECTRONICS CORPORATION. ALL RIGHTS RESERVED.
 TOUS DROITS RESERVES

LOC F DIST 7

REVISIONS				
P	LTR	DESCRIPTION MODIFICATIONS	DATE	DWN BSS. APP.
E		CLARIFIE NOTE 3	12MAR2004	J.D Y.P



SCALE 4:1



NOTES:

- CES EMBASES SONT PREVUES POUR ETRE ACCOUPLEES AVEC LES FICHES "HE1402" DOUBLE RANGEE.
(These headers are designed to be mated with "HE1402" connectors double row)
- LES REFERENCES SUIVIES D'UN * SONT LES VERSIONS NORMALISEES SELON LA NORME CEI 603-8
(The parts numbers followed by * are covered by the international standard IEC 603-8)
- RETEMENT DES CONTACTS: ETAIN PUR SUR NICKEL
(Contacts plating: lead free tin over nickel)
- MATIERE PLASTIQUE: PBT CHARGE VERRE, UL-94V0
(Plastic material: glassfilled PBT, UL-94V0)
MATIERE DES CONTACTS: BRONZE PHOSPHOREUX
(Contacts material: phosphor bronze)

50.80	48.26	2x 20	2-281739-0
45.72	43.18	2x 18	1-281739-8 *
43.18	40.64	2x 17	1-281739-7
38.10	35.56	2x 15	1-281739-5 *
33.02	30.48	2x 13	1-281739-3
30.48	27.94	2x 12	1-281739-2 *
25.40	22.86	2x 10	1-281739-0 *
20.32	17.78	2x 8	0-281739-8 *
15.24	12.70	2x 6	0-281739-6 *
12.70	10.16	2x 5	0-281739-5 *
10.16	7.62	2x 4	0-281739-4 *
7.62	5.08	2x 3	0-281739-3 *
5.08	2.54	2x 2	0-281739-2
C	A	Nb DE POS	PART NUMBER
DIMENSIONS			DIM "D" = 2.9

THIS DRAWING IS A CONTROLLED DOCUMENT FOR TYCO ELECTRONICS CORPORATION IT IS SUBJECT TO CHANGE AND THE CONTROLLING ENGINEERING ORGANIZATION SHOULD BE CONTACTED FOR THE LATEST REVISION. CE PLAN EST UN DOCUMENT CONTRÔLÉ PAR AMP INCORPORATED. IL EST SUSCEPTIBLE D'ÊTRE REVISÉ. CONTACTER LE SERVICE TECHNIQUE D'AMP DE FRANCE POUR OBTENIR LA DERNIÈRE RÉVISION.		DWN/DESSINE 22NOV2000 C. COMBEDOUZON CHK/VERIFIE 22NOV2000 I. CORRIOL APVD/APROUVE 22NOV2000 Y. PETRONIN	AMP DE FRANCE 95301 PONTOISE
DIMENSIONS: mm	TOLERANCES UNLESS OTHERWISE SPECIFIED: (SUIV NB DE DECIMALES) 0 PLC/DEC: ± 1 PLC/DEC: ±0.3 2 PLC/DEC: ± 3 PLC/DEC: ± 4 PLC/DEC: ± ANGLES ±°	PRODUCT SPEC 108-15053 SPEC. APPLICATION WEIGHT MASSE APPROX. -	AMP HEADERS HE1402, DOUBLE ROW, STRAIGHT
MATERIAL/MATIERE	FINISH/FINITION	SIZE FORMAT A2 CAGE CODE 00779 DRAWING NO No PLAN C-281739	RESTRICTED TO RESERVE A - SHEET FEUILLE OF DE REV E
CUSTOMER DRAWING /PLAN CLIENT		UNIQUEMENT POUR REFERENCE	SCALE ECHELLE 5:1