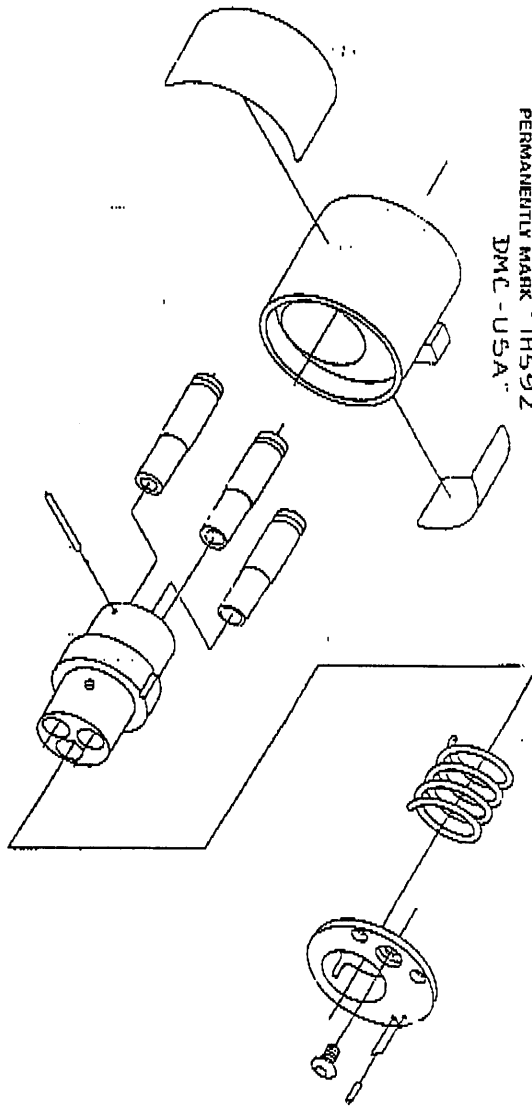


PERMANENTLY MARK "TH592
DMC-USA"



ENR 11 1996

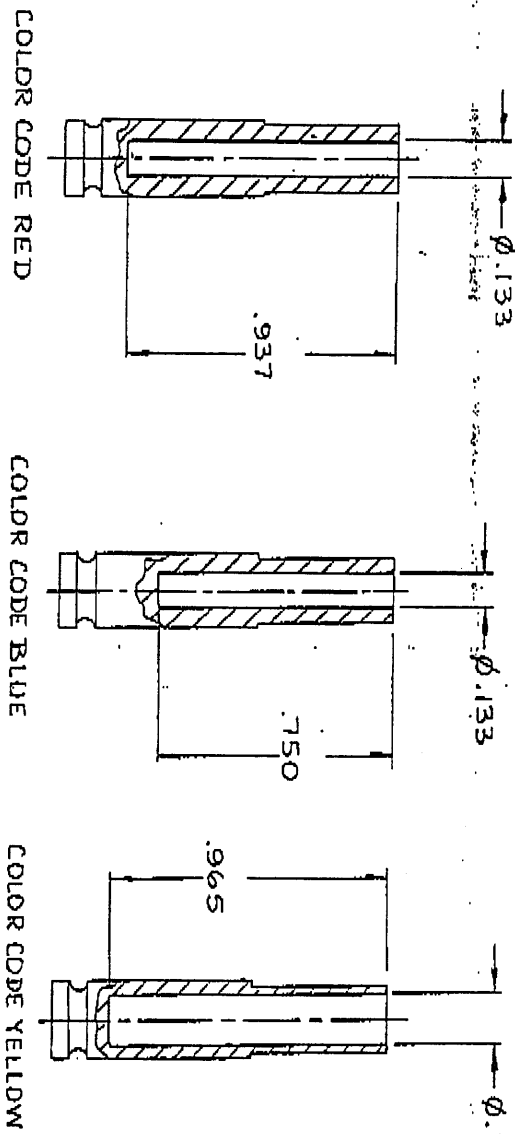
REVISIONS			
REV. NO.	ECO NO.	DESCRIPTION	BY DATE
A	14746	ORIG RELEASE	10/11/95
B	14981	REVISED RED & BLUE	10/11/96

AB CONNECTORS CONTACTS	COLOR CODE	0.6	1.0	1.51	2.5	WIRE SIZE mm 2
AB3AKPKFBD	BLUE			5		
AB1BKSKFBD	RED			5		
AB12KSKFBD	YELLOW				7	

RESTRICTED & CONFIDENTIAL INFORMATION
PROPRIETARY RIGHTS INVOLVED

This document is transmitted by DANIELS MANUFACTURING CORP. (DANIELS). With the following understanding and agreement: By acceptance of this (these) document(s) recipient agrees that all rights in and to this document and the information contained herein are reserved by DANIELS and will not be copied, duplicated, used, sold, or disclosed to others without the express written permission of DANIELS. In addition, recipient agrees that the information contained herein is the property of DANIELS and shall be used only for the purposes intended by DANIELS. If this document is used, sold or disclosed to others without the express written permission of DANIELS, the recipient shall be held liable for all damages, including reasonable attorneys' fees, incurred by DANIELS as a result of such use, sale or disclosure.

It is understood that this document belongs to and shall be returned to DANIELS.



PROJECT 3899

DATE: 10/11/96		DATE: 10/11/96	
BY: [Signature]		BY: [Signature]	
TITLE: TURRET HEAD		TITLE: TURRET HEAD	
PART NO.: TH592-ENV B		PART NO.: TH592-ENV B	
REV. NO.: 1		REV. NO.: 1	

3585621