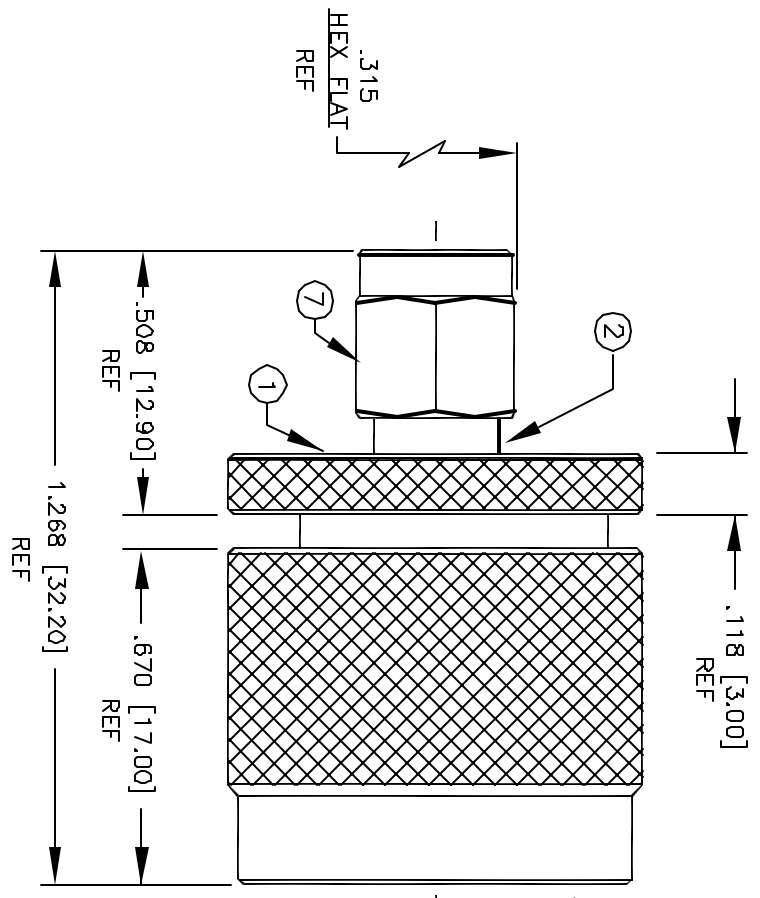


ALL RIGHTS RESERVED. NO PORTION OF THIS PUBLICATION, WHETHER IN WHOLE OR IN PART CAN BE REPRODUCED WITHOUT THE EXPRESS WRITTEN CONSENT OF SPC TECHNOLOGY.

REVISONS		DOC. NO. SPC-F005	Effective: 12/21/98	DCP No: 860				
DCP #	REV	DESCRIPTION	DRAWN	DATE	CHECKD	DATE	APPRVD	DATE
428	B	CHANGE ELECTRONIC FILE NAME	DJC	2/12/98	JC	2/17/98	JC	2/17/98
665	C	CHANGE DIMENSION	DJC	12/23/98	JC	1/8/99	JC	1/8/99



**SPECIFICATIONS:**

IMPEDANCE: 50 OHMS  
 WORKING VOLTAGE: 335 VRMS @ SEA LEVEL  
 FREQUENCY RANGE: 0-11 GHz  
 Interface per MIL-STD-348A, Section 310.1 & 304.1

ITEM	DESCRIPTION	QTY	MATERIAL	FINISH
10	SHELL	1	BRASS	NICKEL
9	RETAINING RING	1	BRASS	NICKEL
8	GASKET	1	S.I. RUBBER	RED
7	SHELL	1	BRASS	NICKEL
6	RETAINING RING	1	BeCu	NONE
5	GASKET	1	S.I. RUBBER	RED
4	DIELECTRIC	1	TEFLON	NONE
3	PIN	1	BRASS	NONE
2	SMA BODY	1	BRASS	NICKEL
1	N BODY	1	BRASS	NICKEL

**DISCLAIMER**  
 ALL STATEMENTS AND TECHNICAL INFORMATION CONTAINED HEREIN ARE BASED UPON INFORMATION AND/OR TESTS WE BELIEVE TO BE ACCURATE AND RELIABLE. SINCE CONDITIONS OF USE ARE BEYOND OUR CONTROL, THE USER SHALL DETERMINE THE SUITABILITY OF THE PRODUCT FOR THE INTENDED USE AND ASSUME ALL RISK AND LIABILITY WHATSOEVER IN CONNECTION THEREWITH.



**SPC TECHNOLOGY**

UNLESS OTHERWISE SPECIFIED, DIMENSIONS ARE FOR REFERENCE PURPOSES ONLY.  
 DRAWN BY: DANIEL CAREY  
 CHECKED BY: JOHN COLE  
 APPROVED BY: BRETT BRAATZ  
 DATE: 4/2/97  
 DATE: 4/8/97  
 DATE: 4/18/97

DRAWING TITLE: SMA MALE TO N MALE ADAPTER  
 SIZE DWG. NO. 8589-0868  
 SCALE: NTS  
 U.O.M.: INCHES [mm]  
 ELECTRONIC FILE 16N2750.DWG  
 SHEET: 1 OF 1