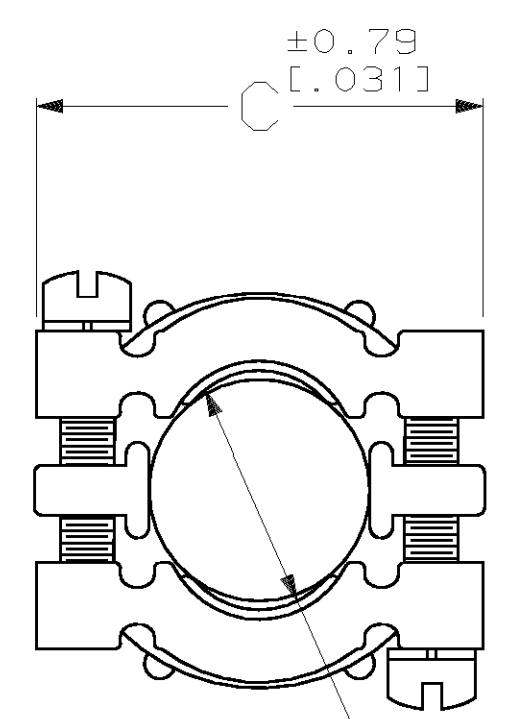
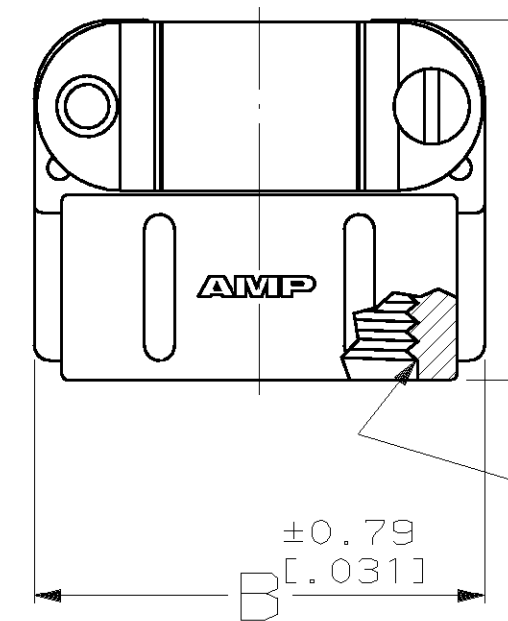


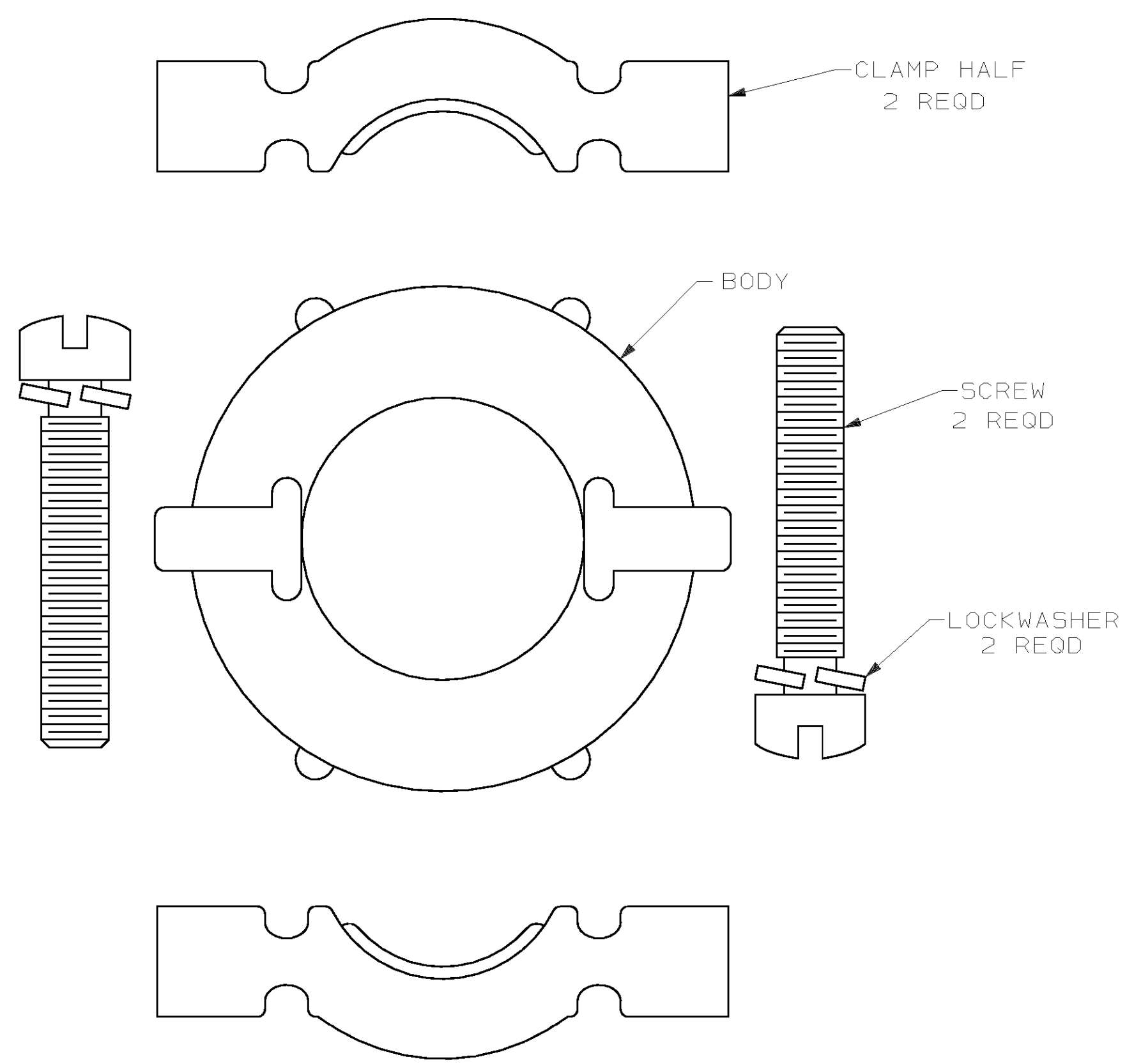
LOC	DIST	P	F	ZONE	LTR	REVISIONS	DATE	APPD
FT	4							
					K	REVISED PER EC 0G3B-0048-00	28-MAR-00	KW MC



CABLE DIAMETER RANGE
 D MAX CABLE DIA
 E MIN CABLE DIA



ASSEMBLED VIEW
 SCALE 2:1



④	1 7/16-18UNEF-3B	11.43 [.450]	17.48 [.688]	42.88 [1.688]	43.10 [1.697]	26.19 [1.031]	28	1-208945-0
	1 7/16-18UNEF-3B	11.43 [.450]	17.48 [.688]	42.88 [1.688]	43.10 [1.697]	26.19 [1.031]	28	208945-9
	1 7/16-18UNEF-3B	11.43 [.450]	23.83 [.938]	42.88 [1.688]	43.10 [1.697]	26.19 [1.031]	28	208945-8
	1 3/16-18UNEF-3B	8.26 [.325]	19.05 [.750]	37.31 [1.469]	36.37 [1.432]	23.83 [.938]	22	208945-7
①	7/8-20UNEF-3B	5.72 [.225]	14.27 [.562]	29.59 [1.165]	29.85 [1.175]	23.83 [.938]	14	208945-5
	F	E	D	C	B	A	SHELL SIZE	PART NO

- ① MILITARY CONNECTORS USUALLY DESIGNATE A 3/4-20 THREAD FOR SIZE 14 CONNECTORS AND A 7/8-20 THREAD FOR SIZE 16 CONNECTORS. AMP'S SIZE 14 CONNECTORS WITH A 7/8-20 THREAD IS A DEVIATION FROM THIS STANDARD.
- ② BODY & CLAMPS: NICKEL PLATE.
- ③ BODY & CLAMPS: ZINC ALLOY. SCREWS & WASHERS: STAINLESS STEEL.
- ④ PACKAGED IN BULK ONLY.

DO NOT SCALE PRINT. UNLESS SPECIFIED DIMENSIONS IN mm [INCHES] TOLERANCES ON: 2 PLC DEC ± - 3 PLC DEC ± - ANGLES ± -	DR 05/18/92 W.G.LENKER	AMP Incorporated Harrisburg, PA 17105-3608		
	CHK 6-1-92 R.STONE			NAME
MATERIAL ③	APPD 6-3-92 K.BEAVER	CABLE CLAMP KIT, UNASSEMBLED, CMC		
FINISH ②	APPD 6-3-92 C.ROHDE			
	PRODUCT SPEC	SIZE C	CAGE CODE 00779	DRAWING NO C-208945
	APPLICATION SPEC	SCALE 4:1	SHEET 1 OF 1	
	WEIGHT -			

THIS DRAWING IS A CONTROLLED DOCUMENT FOR AMP INCORPORATED. IT IS SUBJECT TO CHANGE AND THE CONTROLLING ENGINEERING ORGANIZATION SHOULD BE CONTACTED FOR THE LATEST REVISION.