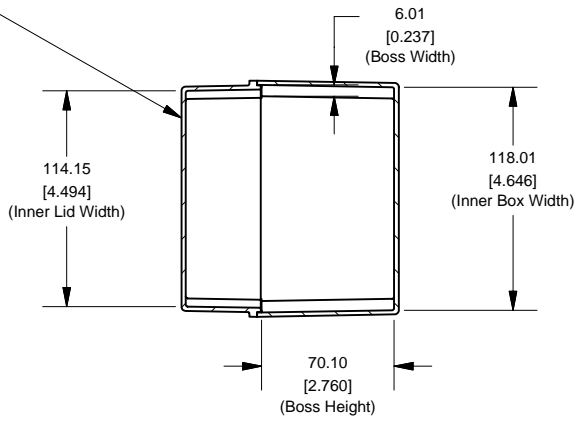
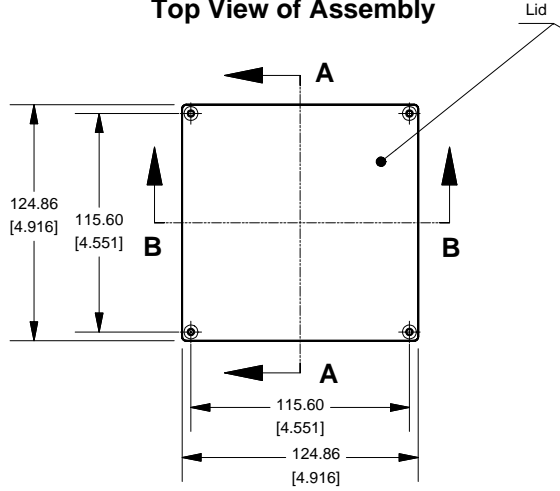


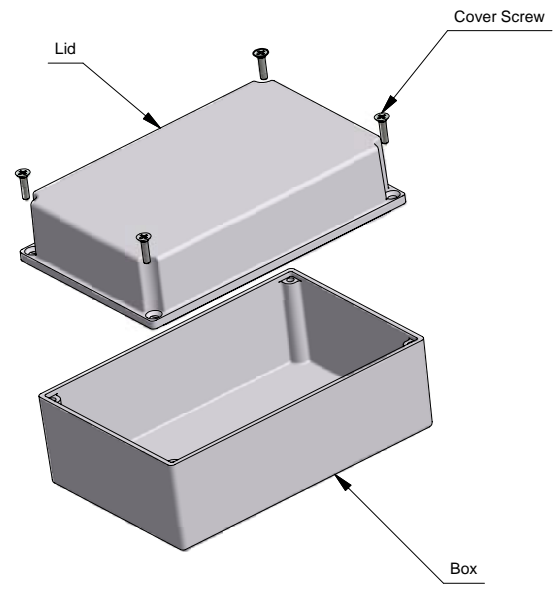
SECTION A-A End View of Assembly



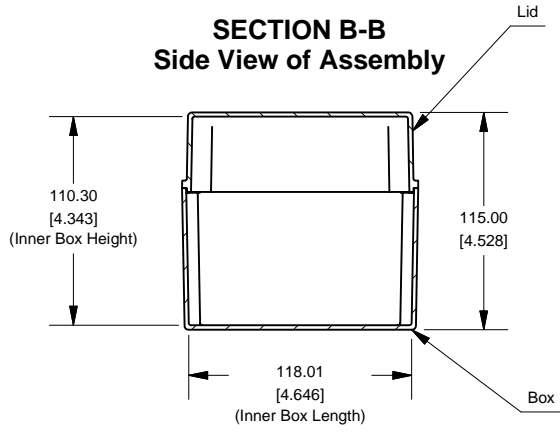
Top View of Assembly



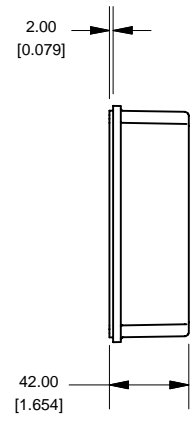
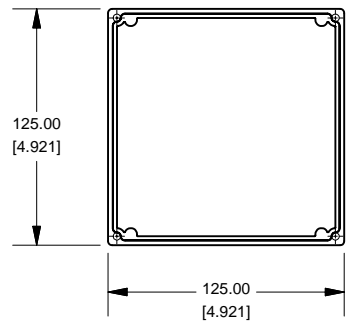
Eddystone - Deep Lid (11130PDLA)



SECTION B-B Side View of Assembly



Lid



PART DESCRIPTION	
Part Number:	11130PDLA
Material:	Diecast Aluminum Alloy
Screw Type:	M3.5 x 6 taptite screws (Includes 4) (Screws accept POZIDRIV No.2 screwdriver)

