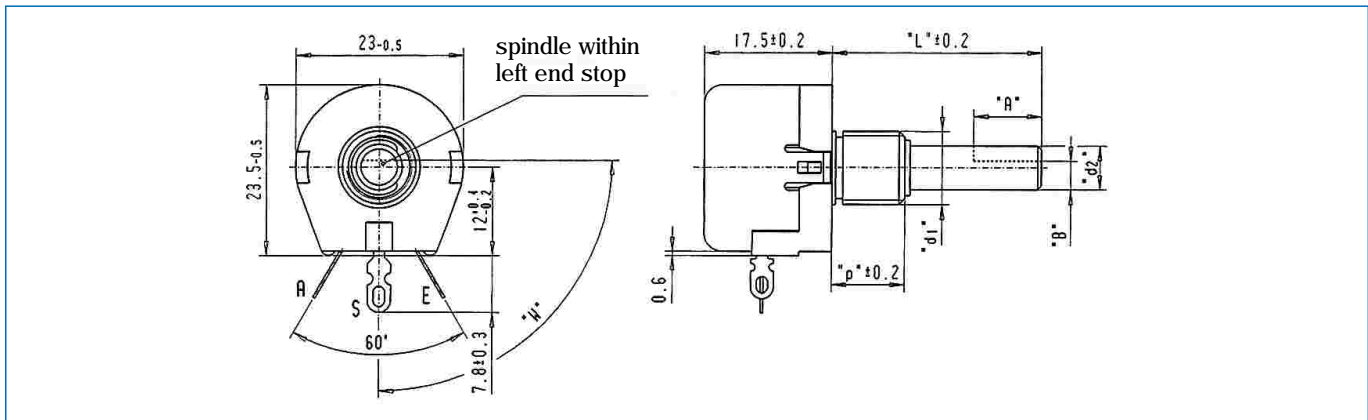
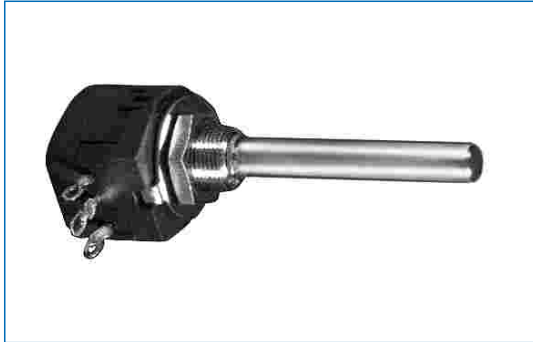


Series ABW 1

Ordering code no.: 31 096

Type ABW 1

Basic design: encased, nominal width 23 mm, solder tag terminals



Technical data

Rated resistance range:	5 Ω - 22 kΩ
Resistance tolerance:	± 10 % (< 10 Ω ± 20 %) on request ± 5 %
Law (resistance taper):	lin (lg on request)
Independent linearity:	± 2 % (on request ± 1 %)
Rated dissipation:	1 W / 40 °C
Limiting element voltage:	300 V
Isolation voltage:	1 kV ~
Temperature range:	- 40 °C to + 90 °C
Temperature coefficient:	see table page 84
Insulation resistance:	1 GΩ
Electrical travel:	265° ± 5°
Mechanical travel:	285° ± 5° on request 270° ± 5°
Operating torque:	0,8 - 3 Ncm
End stop torque:	100 Ncm
Durability:	10 000 cycles

Spindles

- Metal or plastic moulded (see table)
- End of spindle according to customer specification (length, flat)

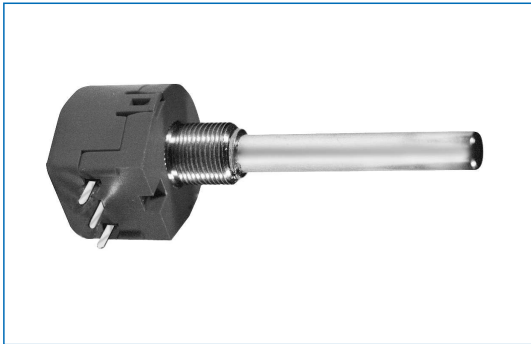
l (mm)	p (mm)	d ₂ (mm)	d ₁
standard 50	10, on request 5	6	M10 x 0,75

Series ABW 1

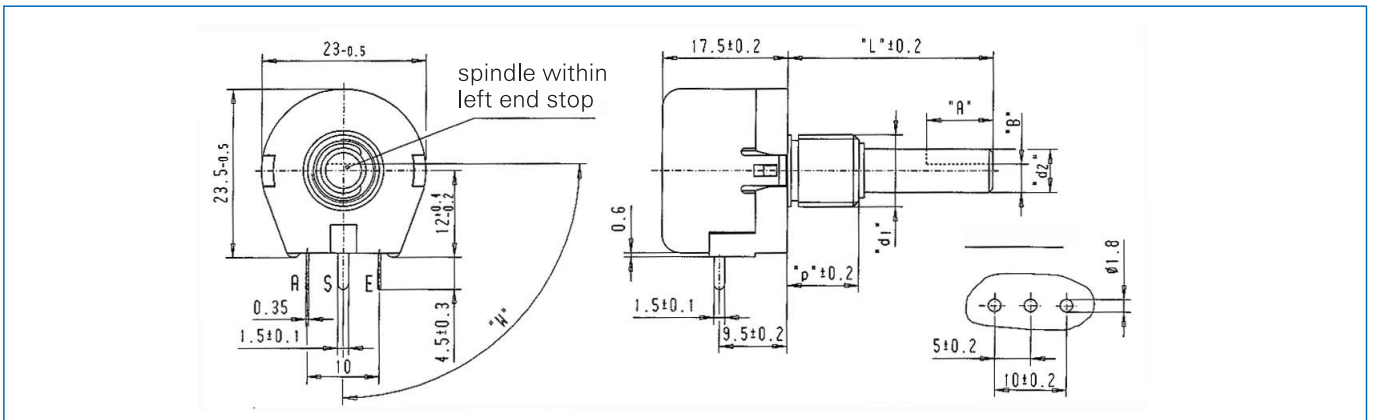
Ordering code no.: 31 096

Type ABW 1 / P

Basic design: encased, nominal width 23 mm, terminals for printed circuit board



Standard version with nut
Special accessories: washer or locating key



Technical data

Rated resistance range: 5 Ω - 22 kΩ
Resistance tolerance: ± 10 % (< 10 Ω ± 20 %) on request ± 5 %
Law (resistance taper): lin (lg on request)
Independent linearity: ± 2 % (on request ± 1 %)
Rated dissipation: 1 W / 40 °C
Limiting element voltage: 300 V
Isolation voltage: 1 kV ~
Temperature range: - 40 °C to + 90 °C
Temperature coefficient: see table page 84
Insulation resistance: 1 GΩ
Electrical travel: 265° ± 5°
Mechanical travel: 285° ± 5° on request 270° ± 5°
Operating torque: 0,8 - 3 Ncm
End stop torque: 100 Ncm
Durability: 10 000 cycles

Spindles

- Metal or plastic moulded (see table)
- End of spindle according to customer specification (length, flat)

l (mm)	p (mm)	d ₂ (mm)	d ₁
standard 50	10, on request 5	6	M10 x 0,75

Technical details subject to change