

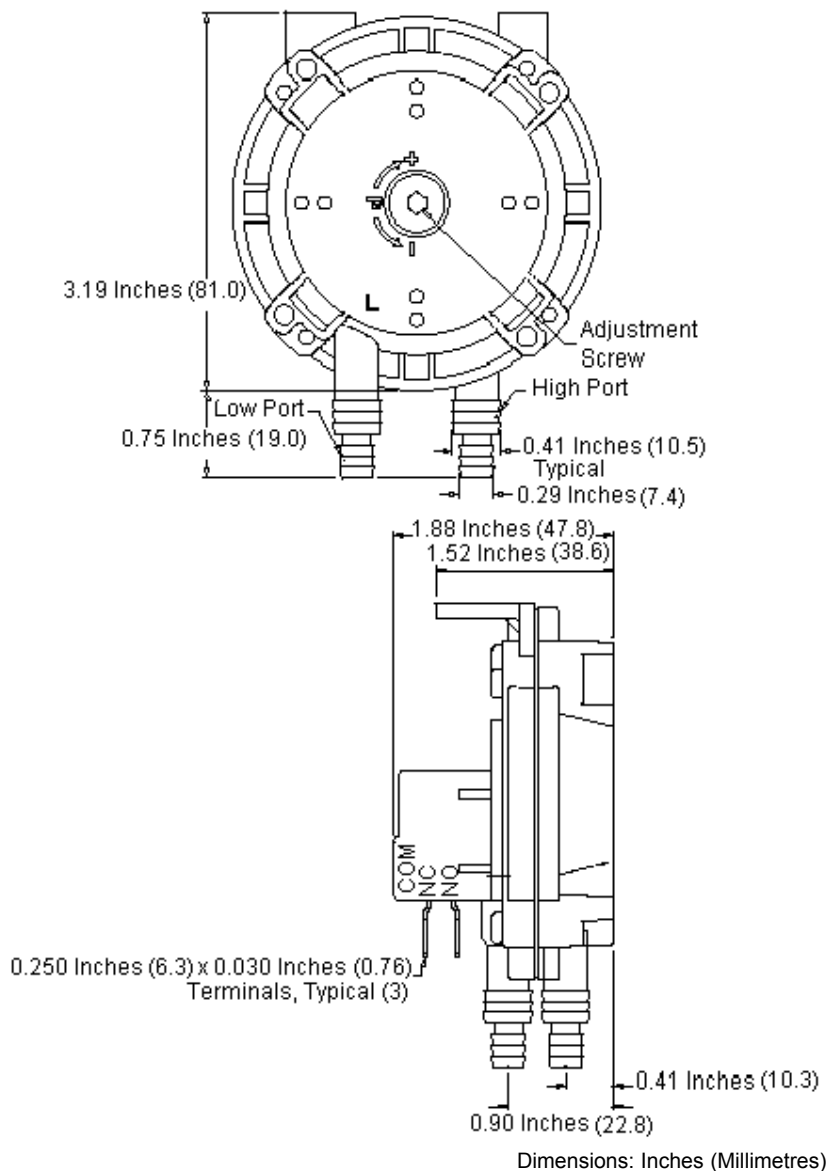
Pressure Switch

Adjustable Set Point



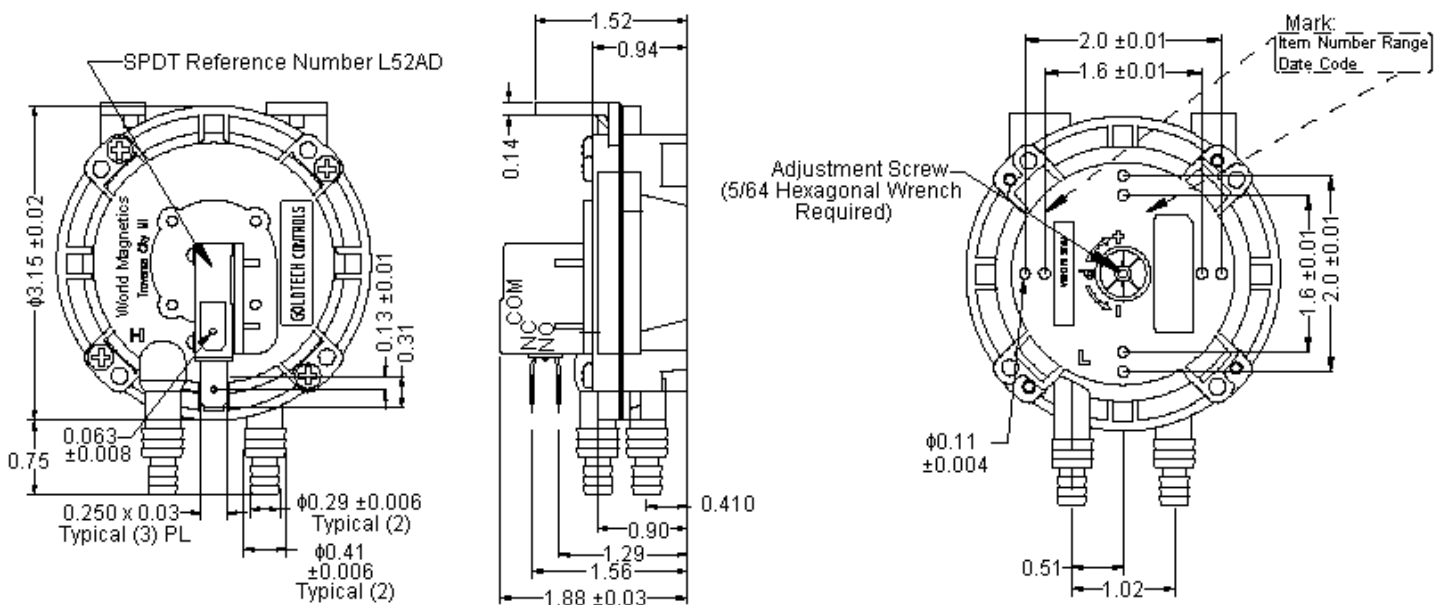
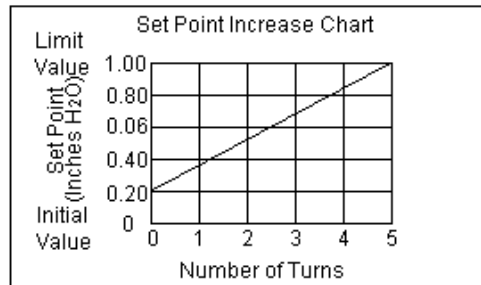
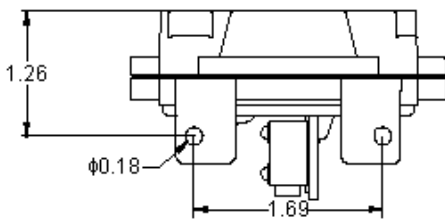
Features:

- Reliable performance under harsh/adverse conditions.
- Larger diameter diaphragm/conventional snap action.
- Standard set point models: 0.07 inches H₂O to 5.0 inches H₂O.
- Field adjustable set point models: 0.2 inches H₂O to 5.0 inches H₂O.
- Multi-barb port connections standard: 0.250 inches and 0.375 inches.
- Orifices, bleed holes and various mounting configurations available on all models.
- Piggy-back design allows different snap-acting switches.
- Lightweight, low cost.
- Rigorously tested - exceeds UL-508/UL-353 pilot duty requirements (Tested hundreds of thousands of cycles).
- Silver contact points.
- Different sized electric terminations available for same unit.



Pressure Switch

Adjustable Set Point



Specifications:

Actuation pressure	: 0.20 inches - 1.00 inches H ₂ O, ±0.08 inches H ₂ O.
Test position	: Diaphragm vertically, switch feet pads down.
Electrical rating	: SPDT electrical load 5A resistive at 125V ac to 250V ac.
Electrical switch	: Single pole double throw, snap acting contacts.
Electrical connectors	: Terminals are 1/4 Inches thickness quick connect.
Maximum pressure	: 1psi.
Operating temperature range	: -13°F (-25°C) to +221°F (+105°C).
Sample line connector	: Negative combination barbed type for use with 1/4 inches or 5/16 inches ID flexible plastic or rubber tubing.

Description:

The rugged yet ultra-sensitive goldtech™ PS100 and PS160 series pressure switches feature a larger diameter diaphragm and incorporate a conventional snap action switch element. This design assures reliable performance under harsh and adverse conditions, while remaining low in relative cost.

Pressure Switch

Adjustable Set Point



Part Number Table

Description	Part Number
Pressure Switch, 0.2-1 H ₂ O	GT27027



Disclaimer This data sheet and its contents (the "Information") belong to the Premier Farnell Group (the "Group") or are licensed to it. No licence is granted for the use of it other than for information purposes in connection with the products to which it relates. No licence of any intellectual property rights is granted. The Information is subject to change without notice and replaces all data sheets previously supplied. The Information supplied is believed to be accurate but the Group assumes no responsibility for its accuracy or completeness, any error in or omission from it or for any use made of it. Users of this data sheet should check for themselves the Information and the suitability of the products for their purpose and not make any assumptions based on information included or omitted. Liability for loss or damage resulting from any reliance on the Information or use of it (including liability resulting from negligence or where the Group was aware of the possibility of such loss or damage arising) is excluded. This will not operate to limit or restrict the Group's liability for death or personal injury resulting from its negligence. SPC Multicomp is the registered trademark of the Group. © Premier Farnell plc 2009.

<http://www.farnell.com>
<http://www.newark.com>
<http://www.cpc.co.uk>

