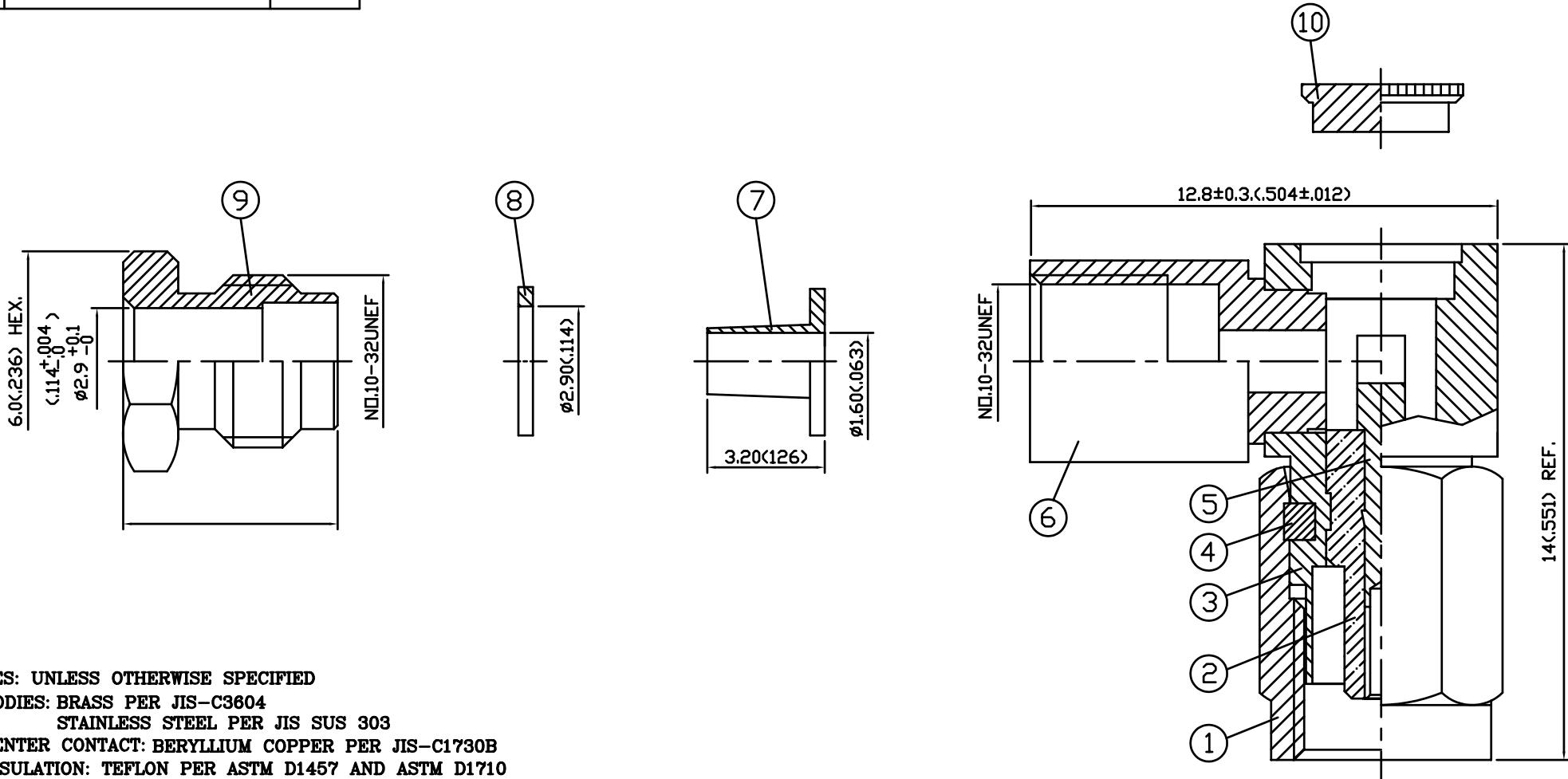


NO	DESCRIPTION	DATE
⚠	BACKGROUND FORMAT UPDATED	07.23.02



NOTES: UNLESS OTHERWISE SPECIFIED

- BODIES: BRASS PER JIS-C3604
STAINLESS STEEL PER JIS SUS 303
- CENTER CONTACT: BERYLLIUM COPPER PER JIS-C1730B
- INSULATION: TEFLON PER ASTM D1457 AND ASTM D1710
- CONNECTOR INTERFACE PER MIL-STD-348A
- PART TO BE CLEAN AND FREE OF BURRS

NO	DESCRIPTION	MATERIAL	Q'TY	FINISH
10	CAP	BRASS	1	GOLD 3 μ" MIN.
9	NUT	BRASS	1	GOLD 3 μ" MIN.
8	WASHER	BRASS	1	GOLD 3 μ" MIN.
7	SLEEVE	BRASS	1	GOLD 3 μ" MIN.
6	CHASSIS	BRASS	1	GOLD 3 μ" MIN.
5	CENTER CONTACT	BERYLLIUM COPPER	1	GOLD 30 μ" MIN.
4	WASHER	STAINLESS STEEL	1	NONE
3	BODY	BRASS	1	GOLD 3 μ" MIN.
2	INSULATION	TEFLON	1	NONE
1	SHELL	BRASS	1	GOLD 3 μ" MIN.
NO	DESCRIPTION	MATERIAL	Q'TY	FINISH

製圖	DRAWN	TOLERANCE	品名	26-06 174U (500)	日期	DATE	版次	REV.
	袁金玉							
檢圖	CHECK	TOLERANCE	單位	DWG.NO.	26-0024	佳楠精密電子股份有限公司 CHIN NAN PRECISION ELECTRONICS CO.,LTD.		
	袁金華							
認定	APPROVAL	TOLERANCE	比例					
	蘇文申							
		ANGLE	±5°					