

# A03 SERIES

## ILLUMINATED OR NON-ILLUMINATED PUSHBUTTON SWITCHES & INDICATORS Panel cut-out Ø22 OR Ø30mm Plastic or Metal Flush Mounting Bezel

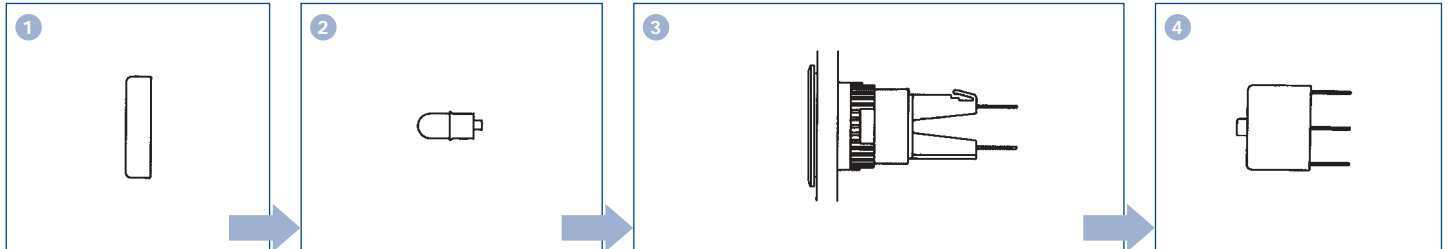
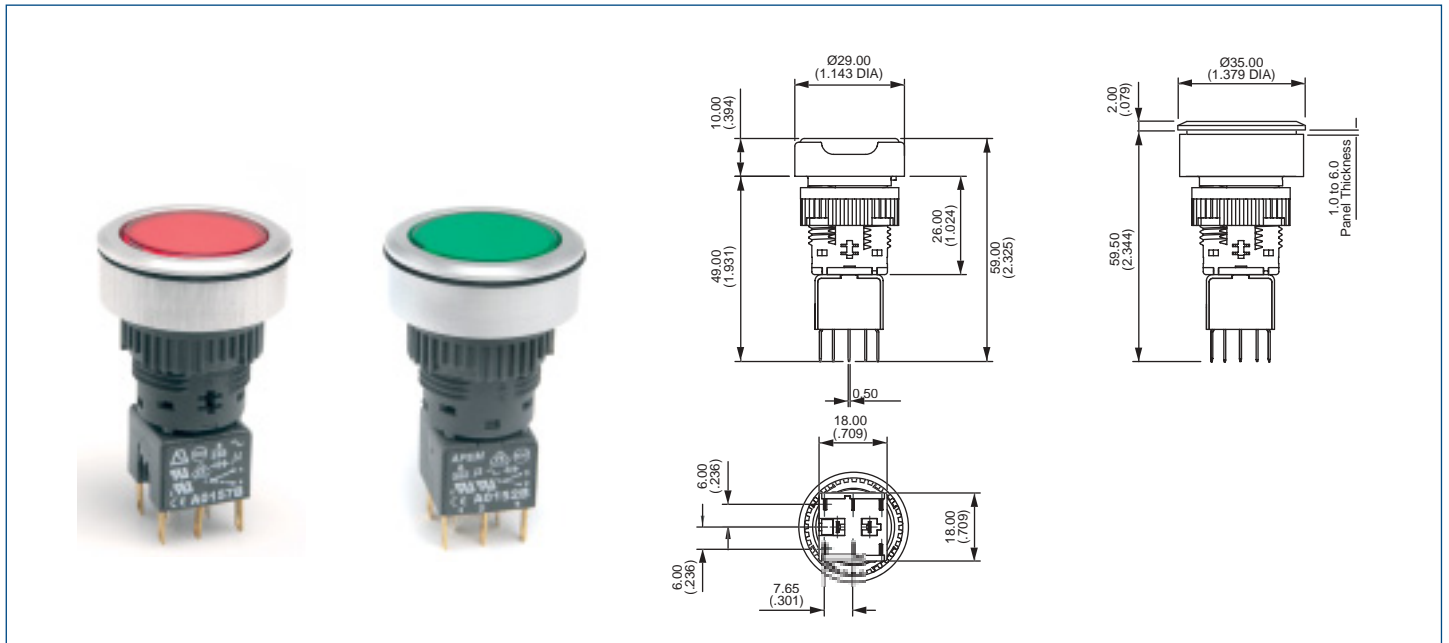
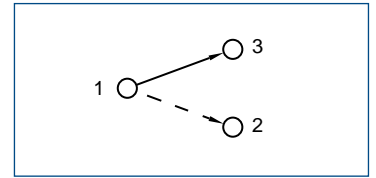
### A pushbutton assembly comprises:

screen + lamp (if illuminated) + operator + switchblock

To order these elements, select desired model numbers from the table below.

**Example:** IP65 flush mounting round pushbutton, maintained function, red screen, double pole switch block and 12v red LED

= A3PFA1X2BJ1



A3							
Switch Type	Bezel	Illumination	Sealing	Function	Switch Block	LED	
P - pushbutton I - indicator	F - Flushmount	A - illuminated	1 - sealed IP65	O - indicator X - latching Y - momentary	O - indicator 2 - double pole	BJ1 - Red 12v CJ3 - Amber 12v EJ2 - Green 12v FJ4 - Blue 12v GJ5 - White 12v BK1 - Red 24v CK3 - Amber 24v EK2 - Green 24v FK4 - Blue 24v GK5 - White 24v	