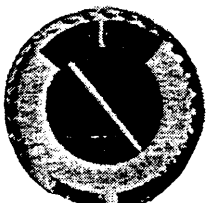
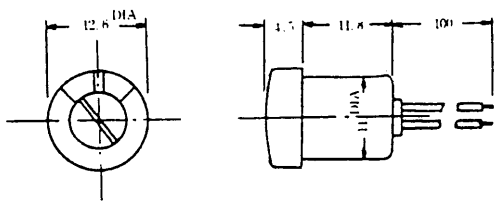
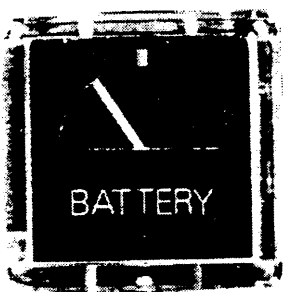
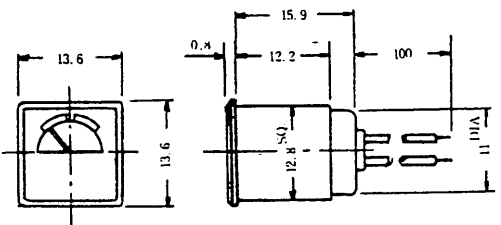
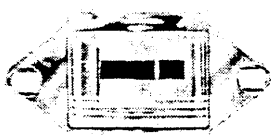
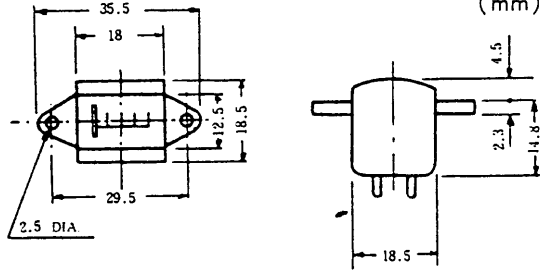
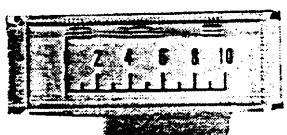
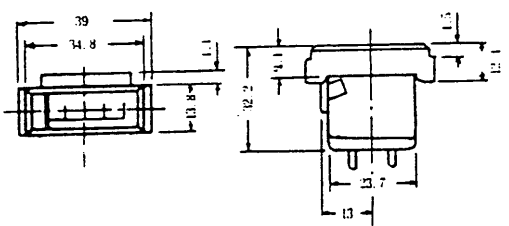


143-508/9/10.

LEVEL METERS

<p>MODEL MC-12M</p> 	<p>(mm)</p>  <p>Scale colour : Red/Green/Silver satin. (-) lead is connected to metal case.</p>	<ul style="list-style-type: none"> ● Current sensitivity <ul style="list-style-type: none"> (0-1 mA dc 0.5-0-0.5 mA $345\Omega \pm 15\%$ (0-0.5mA dc 0.25-0-0.25mA $700\Omega \pm 15\%$ ● Accuracy <ul style="list-style-type: none"> at specified test point $\pm 15\%$ at other points $\pm 20\%$ of the full-scale value ● Temperature range $-10^{\circ}\text{C} \sim +55^{\circ}\text{C}$
<p>MODEL MC-13K</p> 	 <p>Scale colour : Red/Green/Black</p>	<ul style="list-style-type: none"> ● Current sensitivity <ul style="list-style-type: none"> (0-0.5mA 0-0.4mA $650\Omega \pm 15\%$ 0-0.2mA $1,200\Omega \pm 15\%$ ● Accuracy <ul style="list-style-type: none"> at specified test point $\pm 10\%$ ● Temperature range $-10^{\circ}\text{C} \sim +55^{\circ}\text{C}$
<p>MODEL MC-18H</p> 	<p>(mm)</p> 	<ul style="list-style-type: none"> ● Current sensitivity <ul style="list-style-type: none"> (0-0.5mA 0-0.4mA $650\Omega \pm 15\%$ 0-0.2mA $1,200\Omega \pm 15\%$ ● Accuracy <ul style="list-style-type: none"> at specified test point $\pm 10\%$ ● Temperature range $-10^{\circ}\text{C} \sim +55^{\circ}\text{C}$
<p>MODEL MC-34H</p> <p>143-509/10-</p> 		<ul style="list-style-type: none"> ● Current sensitivity <ul style="list-style-type: none"> (0-0.5mA 0-0.4mA $650\Omega \pm 15\%$ 0-0.2mA $1,200\Omega \pm 15\%$ ● Accuracy <ul style="list-style-type: none"> at specified test point $\pm 10\%$ ● Temperature range $-10^{\circ}\text{C} \sim +55^{\circ}\text{C}$

● Specifications subject to alteration without notice

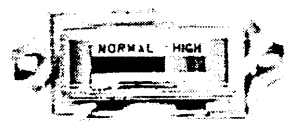
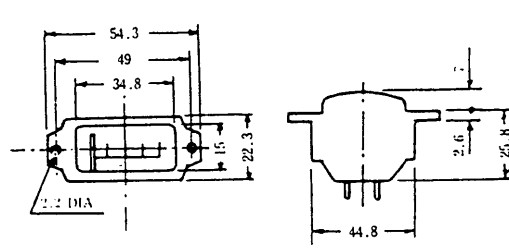
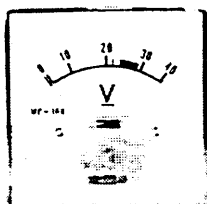
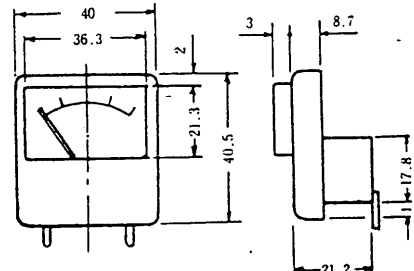
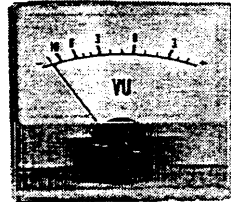
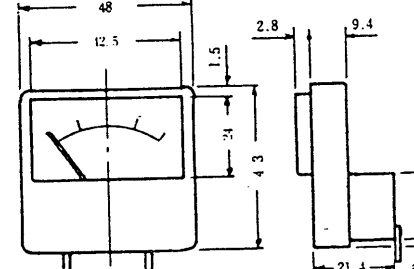
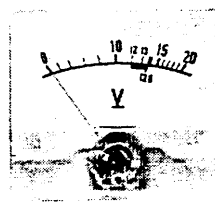
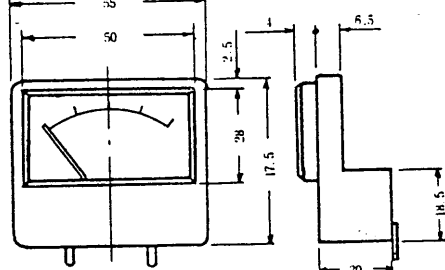
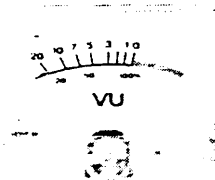
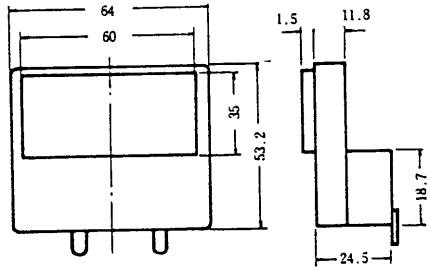
■ Inquiries invited on special types.

Distributor :

MURATA ELECTRIC INSTRUMENTS CO.,LTD.

4-14-4 Azamino Midoriku Yokohama 227 Japan
 Telephone 045-901-2481
 Cable MURATEL YOKOHAMA
 Telex 03822040 MURATA J

LEVEL METERS

<p>MODEL MC-34HR</p> 		<ul style="list-style-type: none"> ● Current sensitivity <ul style="list-style-type: none"> (0-0.5mA 0-0.4mA 650Ω ±15% 0-0.2mA 1,200Ω ±15%
<p>MODEL MC-36K</p> 		<ul style="list-style-type: none"> ● Accuracy <ul style="list-style-type: none"> at specified test point ±10% ● Temperature range <ul style="list-style-type: none"> -10°C ~ +55°C
<p>MODEL MC-42K</p> 		
<p>MODEL MC-50K</p> 		
<p>MODEL MC-60K</p> 		

● Specifications subject to alteration without notice

■ Inquiries invited on special types.

Distributor :

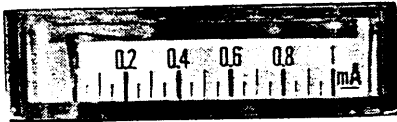
MURATA ELECTRIC INSTRUMENTS CO., LTD.

4-14-4 Azamino Midoriku Yokohama 227 Japan
 Telephone 045-901-2481
 Cable MURATEL YOKOHAMA
 Telex 03822040 MURATA J

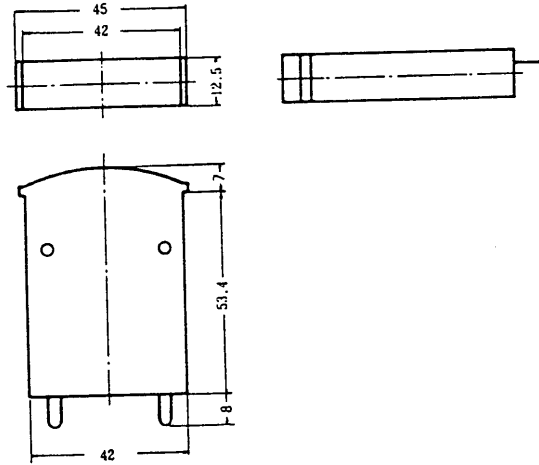
PANEL METERS

CLASS 2.5

MODEL MC-42H



● Dimensions : mm



- DC : A $50\mu\text{A}$ 4,900 Ω
- 100 μA 2,200 Ω
- 1mA 100 Ω
- 5mA 6 Ω

- DC V : 5V~500V
- 1K Ω /V

- CLASS 2.5
- Panel Cutout 42.3mmX12.8mm

MODEL MC-500



BATTERY CHECKER

● Applicable batteries :

	Battery Models		
	1.5V	D	R 20
1.5V	C	R 14	UM-2
1.5V	AA	R 6	UM-3
9 V	6F22	6F22	006 P

● Specifications subject to alteration without notice

■ Inquiries invited on special types.

Distributor :

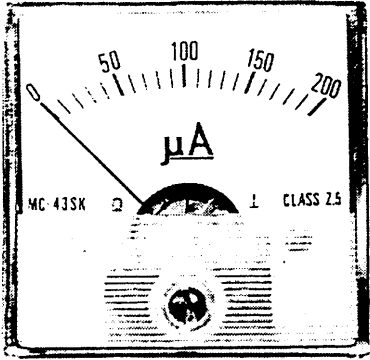
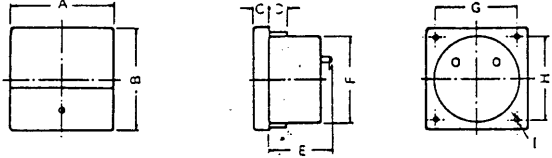
MURATA ELECTRIC INSTRUMENTS CO.,LTD.

4-14-4 Azamino Midoriku Yokohama 227 Japan
 Telephone 045-901-2481
 Cable MURATEL YOKOHAMA
 Telex 03822040 MURATA J

PANEL METERS

CLASS 2.5

MODEL MC-60SK
MC-51SK
MC-43SK

• Dimensions : mm

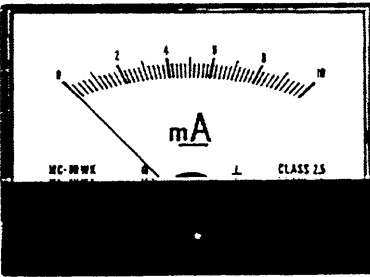
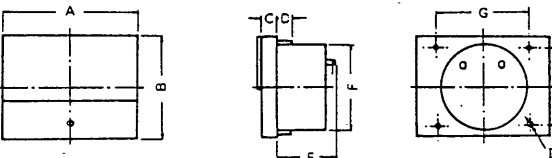
	A	B	C	D	E	F	G	H	I
MC-60SK	60	60	10	15	32	52	48	48	3
MC-51SK	51	51	9	13	30	45	38	38	3
MC-43SK	43	43	9	10	27	38	32	32	2.3

• DC A : 100 μ A 2,000 Ω
1mA 170 Ω
5mA 8 Ω
up to 30A

• DC V : 5V~500V
1 K Ω /V

• CLASS 2.5

MODEL MC-120WK
MC-100WK
MC- 80WK
MC- 70WK
MC- 51WK

• Dimensions : mm

	A	B	C	D	E	F	G	H	I
MC-120WK	120	100	13	15	34	65	100	80	4
MC-100WK	100	80	12.5	5	34	65	80	64	3
MC- 80WK	80	60	11	15	32	52	48	48	3
MC- 70WK	70	61	12	13	34	52	48	48	3
MC-- 51WK	51.8	42.5	9	10	30	38	32	32	2.3

• DCA : 100 μ A 2,000 Ω
1mA 170 Ω
5mA 8 Ω
up to 30A

• DC V : 5V~500V
1 K Ω /V

• CLASS 2.5

• Specifications subject to alteration without notice

■ Inquiries invited on special types.

Distributor :

MURATA ELECTRIC INSTRUMENTS CO.,LTD.

4-14-4 Azamino Midoriku Yokohama 227 Japan
Telephone 045-901-2481
Cable MURATEL YOKOHAMA
Telex 03822040 MURATA J