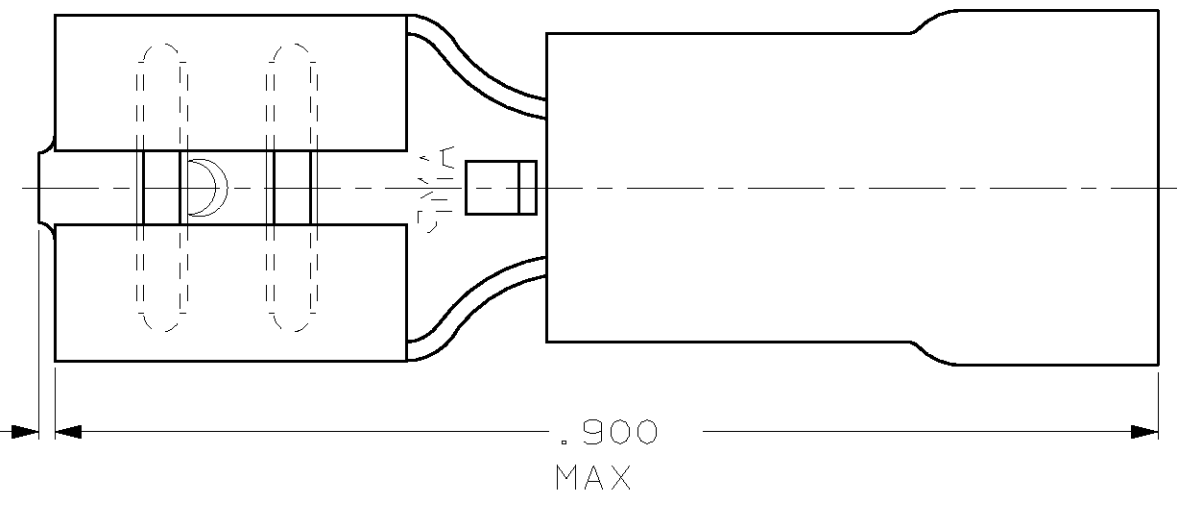
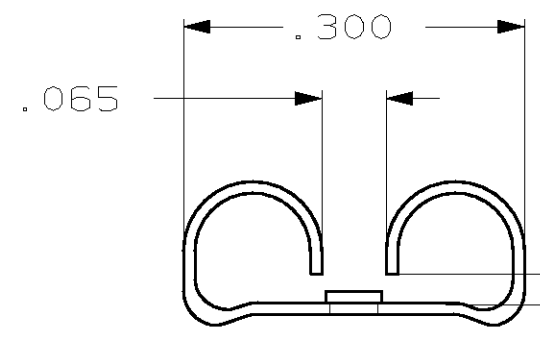
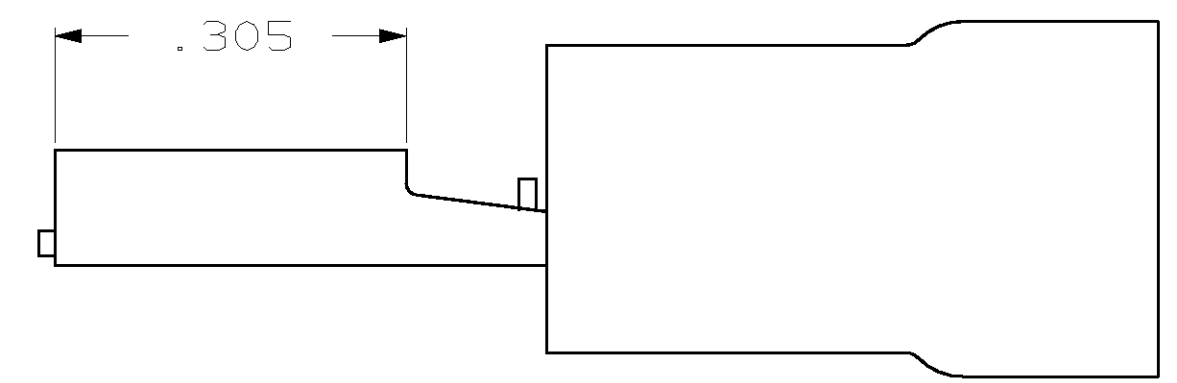


THIS DRAWING IS UNPUBLISHED. RELEASED FOR PUBLICATION ,19 .  
 © COPYRIGHT 19 BY AMP INCORPORATED. ALL RIGHTS RESERVED.

LOC	DIST	REVISIONS			
P	LTR	DESCRIPTION	DATE	DWN	APVD
G	14	H	REV PER 0G3A-0176-02	08APR02	JR TM



- 1. INSULATION DIA .135 MAX
- 2. FITS TAB .032 THK
- 3 PRELIMINARY - NOT FOR PRODUCTION



FITS "250" SERIES FASTON TAB

QTY	PACKAGE TYPE	PART NO
50	LOOSE PC, BAG	8-640903-5
100	LOOSE PC, BOX	8-640903-1
1000	TAPE MOUNTED	640903-3
4000	TAPE MOUNTED	640903-2
1000	LOOSE PIECE	640903-1

AMP INCORPORATED CUSTOMER SERVICE SYSTEM		MAX RECOMMENDED OPERATING TEMPERATURE: -	THIS DRAWING IS A CONTROLLED DOCUMENT FOR AMP INCORPORATED. IT IS SUBJECT TO CHANGE AND THE CONTROLLING ENGINEERING ORGANIZATION SHOULD BE CONTACTED FOR THE LATEST REVISION.		DWN L OLMEDA 26 JUN 95	AMP Incorporated Harrisburg, PA 17105-3608
FOR ADDITIONAL PRODUCT INFORMATION OR COPIES OF DRAWINGS AND TECHNICAL DOCUMENTS	PRODUCT INFORMATION CENTER 1-800-522-6752	VOLTAGE RATING: -	DIMENSIONS: INCHES	TOLERANCES UNLESS OTHERWISE SPECIFIED: 0 PLC ±- 1 PLC ±- 2 PLC ±.015 3 PLC ±- 4 PLC ANGLE ±-	CHK M ELLIS 26 JUN 95	
FOR APPLICATION TOOLING INFORMATION	TOOLING ASSISTANCE CENTER 1-800-722-1111	CIRCULAR MIL AREA: -	MATERIAL BODY, BRASS .018 SLV, NYLON, COLOR, RED		APVD B BARE 26 JUN 95	SIZE A3
FOR ORDER ENTRY	1-800-526-5142		FINISH BODY, TIN		PRODUCT SPEC -	CAGE CODE 00779
					APPLICATION SPEC -	DRAWING NO C-640903
					WEIGHT -	SCALE 6:1
					CUSTOMER DRAWING	SHEET 1 OF 1
						REV H