

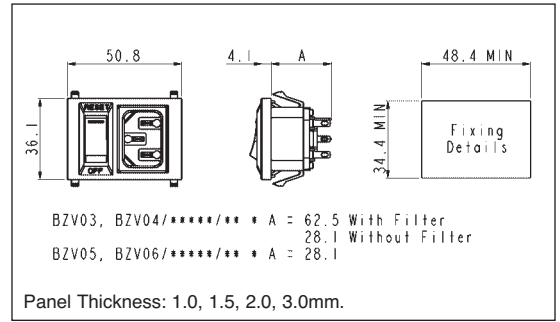
C14 and C16 IEC Inlet with Circuit Breaker

VERTICAL MODULE ARRANGEMENT



BZV03/Z0000/C1/T

- Inlet with 2.8mm or 6.3mm tags
- Single pole circuit breaker
- Illuminated (red or green) and non-illuminated rocker switch
- 125Vac and 250Vac Neons
- 6.3mm tabs on Circuit Breaker



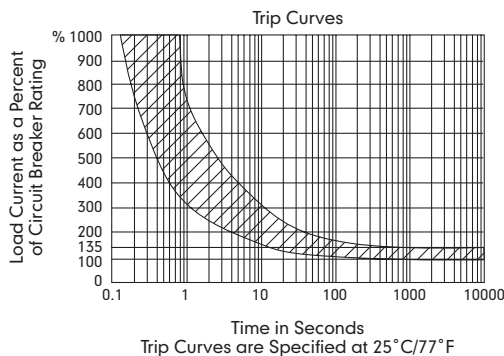
How to Order

BZV xx / Zxxxx / xx x

Type of Inlet	Filtered or Non Filtered	Switch Button	Trip Current
C14 power inlet (cold condition), 6.3 or 2.8mm tabs: 03 = PX0575/63 04 = PX0575/28	Z0000 = Non Filtered Axxxx = Standard	C1 = non-illuminated C2 = red neon (125Vac) C3 = green neon (125Vac) C4 = red neon (250Vac) C5 = green neon (250Vac)	Q = 5.0A T = 8.0A U = 10.0A X = 15.0A
C16 power inlet (hot condition), 6.3 or 2.8mm tabs: 05 = PX0595/63 06 = PX0595/28			

Please note type 05 and 06 are not available in filtered version

Note: For technical details of individual components also see page 74



Capacity Correction Factors for Ambient Temperatures Current Rating 5 to 15A

Temperature °C	-10	-20	-25	-30	-40	-50	-60
Correction Factor	.90	.95	1.00	1.10	1.32	1.61	2.15

Circuit Breaker Approvals:

