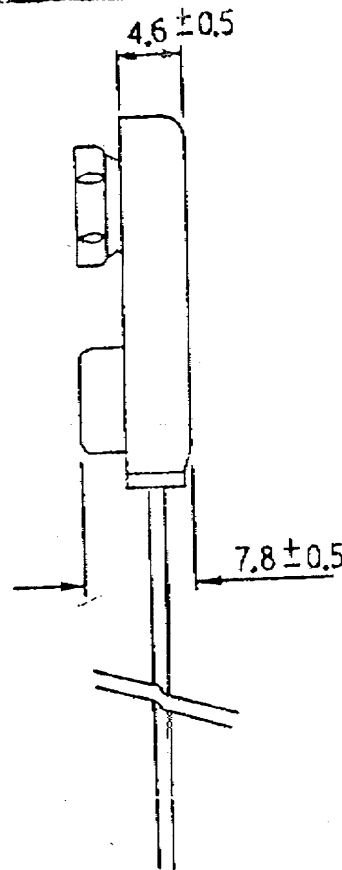
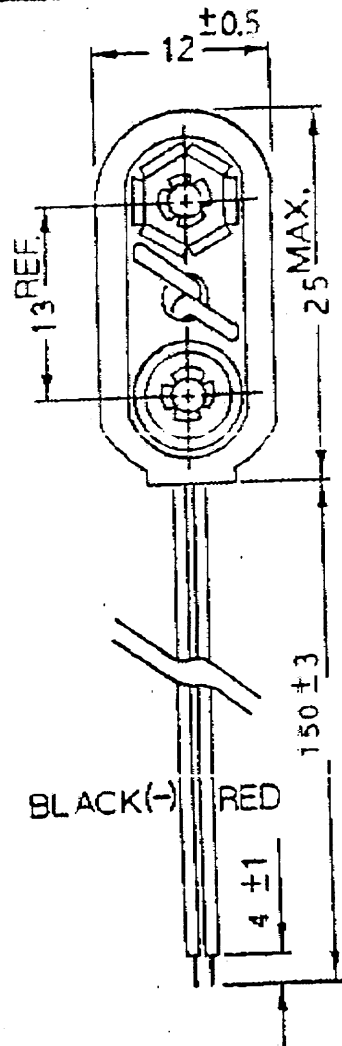
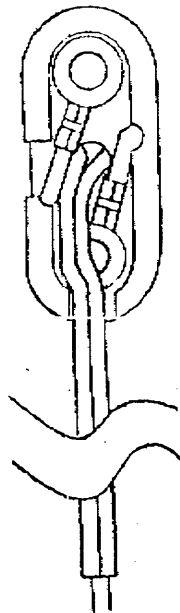


INSIDE



SPECIFICATION:

- (1) ITEM NO. BS-IR
- (2) SNAP: WITH 6 PRONG SNAP TERMINAL COPPER.
- (3) WIRE: UL1007 AWG#26 150m/m BLACK & RED
- (4) MATERIAL: ABS MATERIAL CASING

FARNELL 536-994
P/NO: 440-006

NAME	RIGID BATTERY SNAP		
SCALE	2:1	APPD.	
UNIT	MM	CHKD	邱毅俊
MAT'L	ABS	DWN.	
DATE	'93.FEB.4	DR NO	BSI2601