

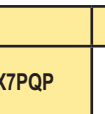
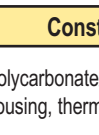
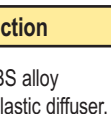
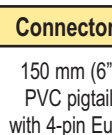
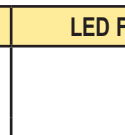
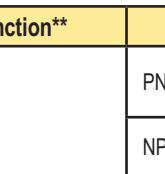


Additional information on this product is immediately available online at www.bannerengineering.com/121900
For further assistance, contact a Banner Engineering Applications Engineer at (763) 544-3164 or (888) 373-6767.



Models

Models		Construction	Connector*	LED Function**	Inputs						
	T8LGYX7PQP	Polycarbonate/ABS alloy housing, thermoplastic diffuser.	150 mm (6") PVC pigtail with 4-pin Euro QD connector	Use with discrete output of photoelectric and proximity sensors to duplicate the sensor's Green and Yellow indicator function. When the sensor is powered, the Green LED is ON. When the sensor's output is energized, the indicator is Yellow.	PNP (Sourcing)						
	T8LGYX7NQP	IP67			NPN (Sinking)						
	M18GYX7PQ	Nickel-plated brass housing, M18x1 thread; thermoplastic diffuser.	4-pin Euro-style integral QD connector		PNP (Sourcing)						
	M18GYX7NQP	Fully encapsulated IP67			NPN (Sinking)						
	T18GYX7PQ	Thermoplastic polyester housing, thermoplastic diffuser.			4-pin Euro-style integral QD connector	PNP (Sourcing)					
	T18GYX7NQP	Fully encapsulated IP67				NPN (Sinking)					
	T30GYX7PQ	Thermoplastic polyester housing, thermoplastic diffuser.				4-pin Euro-style integral QD connector	PNP (Sourcing)				
	T30GYX7NQP	Fully encapsulated IP67					NPN (Sinking)				
	K30LGYX7PQ	22 mm threaded polycarbonate base, translucent polycarbonate dome.					4-pin Euro-style integral QD connector	PNP (Sourcing)			
	K30LGYX7NQP	Fully encapsulated IP67						NPN (Sinking)			
	K50LGYX7PQ	30 mm threaded polycarbonate base, translucent polycarbonate dome.						4-pin Euro-style integral QD connector	PNP (Sourcing)		
	K50LGYX7NQP	Fully encapsulated IP67							NPN (Sinking)		
	K50FLGYX7PQ	Polycarbonate base, translucent polycarbonate dome.							4-pin Euro-style integral QD connector	PNP (Sourcing)	
	K50FLGYX7NQP	Fully encapsulated IP67								NPN (Sinking)	
	K80LGYX7PQ	ABS and polycarbonate base, translucent polycarbonate dome.								4-pin Euro-style integral QD connector	PNP (Sourcing)
	K80LGYX7NQP	Electronics fully encapsulated IP67									NPN (Sinking)

* **T8L Models:** Standard pigtail QD models are listed (mating cable required; see page 3). For 2 m (6.5') integral 4-wire cable model, omit suffix "QP" (e.g., "T8LGXP").
K80L Models: Standard 4-pin Euro integral QD connector models are listed (mating cable required; see page 3). For terminal-wired model, omit suffix "Q" (e.g., "K80LGYX7P").
Other Models: Standard 4-pin Euro integral QD connector models are listed (mating cable required; see page 3). For 2 m (6.5') integral 4-wire cable model, omit suffix "Q" (e.g., "M18GYX7P"). For 150 mm (6") PVC pigtail with 4-pin Euro connector, replace suffix "Q" with "QP" (e.g., "M18GYX7PQP").

** Contact Factory for other colors/color combinations, including: blue, white, orange.

† For use with mating Euro-style QD cables or with Euro splitter, model **CSB-M1240M1240**, or equivalent; see page 3.

EZ-LIGHT™ – 2-Color Indicators for Use with Sensors

Specifications

Supply Voltage and Current

T8L Models: 10 to 30V dc @ 20 mA max.

K30L, T18 and M18 Models: 10 to 30V dc @ 30 mA max.

T30 Models: 10 to 30V dc @ 45 mA max.

K50L, K50FL and K80L Models: 18 to 30V dc @ 45 mA max.

Indicators

Entire translucent diffuser or dome provides indication.

Green and Yellow, when connected to discrete output of 3-wire or 4-wire sensors.

For other colors/combinations, contact Factory for availability.

Environmental Rating

IEC IP67

T8L not encapsulated; K80L has encapsulated electronics only; other models fully encapsulated

Connections

K80L Models: 4-pin Euro-style integral QD (Q) standard. Terminal-wired models available for use with bulk cable; compression fitting optional. Contact Factory for cable information.

T8L Models: 4-pin Euro-style, 6" pigtail QD (QP), or 4-wire, 2 m (6.5') integral cable, depending on model

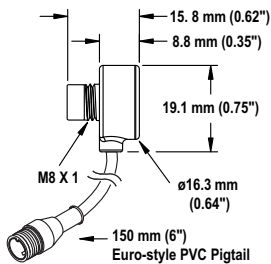
Other Models: 4-pin Euro-style integral QD (Q), 6" pigtail QD (QP), or 4-wire, 2 m (6.5') integral cable, depending on model

Operating Conditions

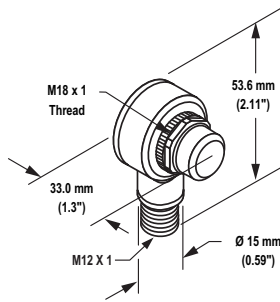
Temperature: -40° to +50° C (-40° to +122° F)

Dimensions

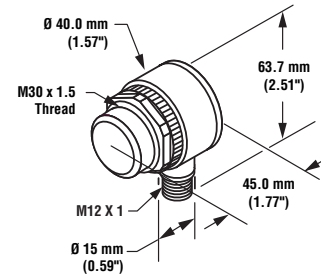
T8 Models



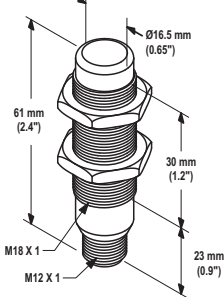
T18 Models



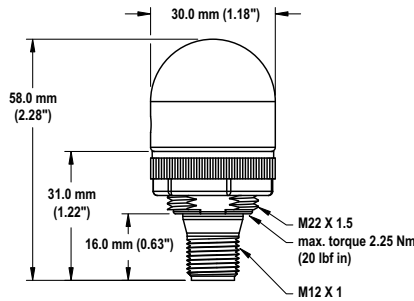
T30 Models



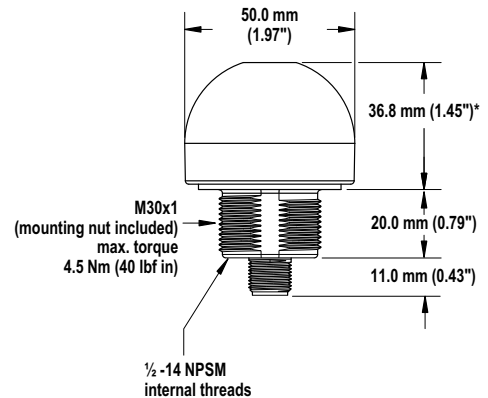
M18 Models



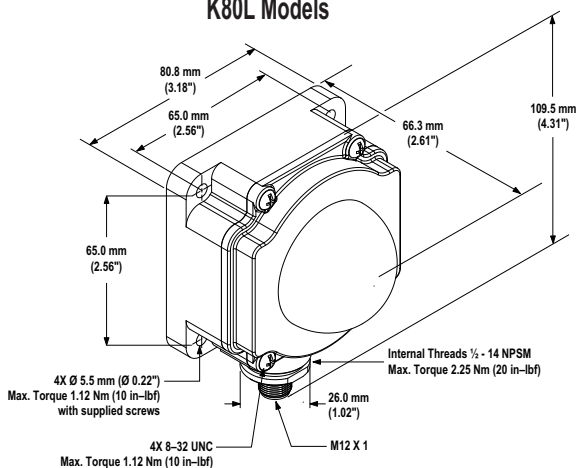
K30L Models



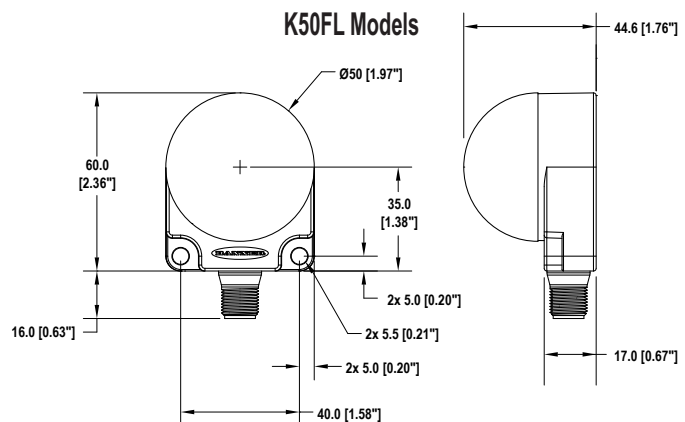
K50L Models



K80L Models



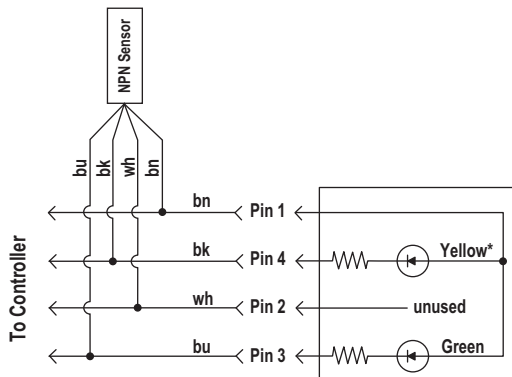
K50FL Models



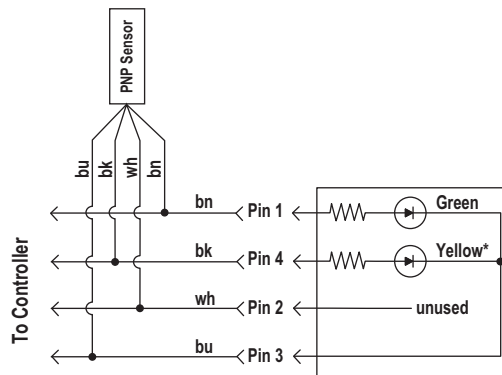
EZ-LIGHT™ – 2-Color Indicators for Use with Sensors

Hookups

NPN Models



PNP Models



*NOTE: Yellow ON = Green OFF

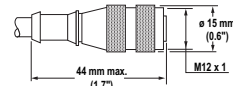
Quick-Disconnect (QD) Cables

Single-Ended Cables – 4-Pin Euro-Style		
Straight Connector	Right-Angle Connector	Length
MQDC-406	MQDC-406RA	2 m (6.5')
MQDC-415	MQDC-415RA	5 m (15')
MQDC-430	MQDC-430RA	9 m (30')
Double-Ended Cables – 4-Pin Euro-Style		
Male Straight / Female Straight Connectors	Male Right-Angle / Female Straight Connectors	Length
MQDEC-403SS	MQDEC-403RS	1 m (3')
MQDEC-406SS	MQDEC-406RS	2 m (6.5')
MQDEC-412SS	MQDEC-412RS	4 m (12')
MQDEC-420SS	MQDEC-420RS	7 m (23')
MQDEC-430SS	MQDEC-430RS	10 m (33')
MQDEC-450SS	MQDEC-450RS	15 m (50')
Splitter Cables – 4-Pin Euro-Style		
Model	Branch Length / Connector	Trunk Length / Connector
CSB-M1240M1240	2 x 10 mm (0.4") / female	10 mm (0.4") / male
CSB-M1241M1241	2 x 0.3 m (1') / female	0.3 m (1") / male
CSB-M1248M1241		2.5 m (8') / male
CSB-M12415M1241		5 m (15') / male
CSB-M12425M1241		8 m (26') / male
CSB-UNT425M1241		8 m (26') / unterminated

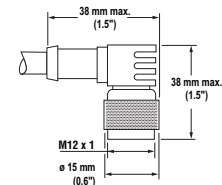
Bulk cable for terminal-wired K80L models: Contact Factory.

Connector Dimensions

Straight

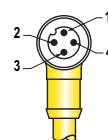


Right-Angle

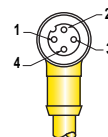


Pinouts

Male



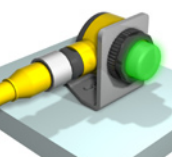
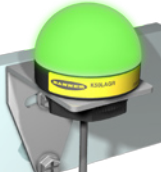

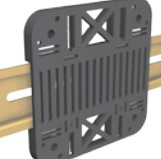
Female



1 = Brown
2 = White
3 = Blue
4 = Black

EZ-LIGHT™ – 2-Color Indicators for Use with Sensors

Accessory Mounting Brackets*

SMB18A	<ul style="list-style-type: none"> • For use with M18 and T18 models or base-mount T30 models • 12-gauge, stainless steel, right-angle bracket, curved mounting slot for adjustable orientation • Clearance for M4 (#8) hardware 		SMB30A	<ul style="list-style-type: none"> • For use with T30 models or base-mount K50L models • 30 mm 12-gauge, 304 stainless steel, right-angle mounting bracket, curved mounting slot for adjustable orientation • Clearance for M5 (#10) hardware 	
Other available 18 mm dia. brackets:	SMB1815SF SMB18Q SMB18SF SMB312PD SMBAMS18RA SMBAMS18P		Other available 30 mm dia. brackets:	SMBAMS30RA SMBAMS30P SMB30SC SMB30SC SMB30MM SMB3018SC	
SMB22A	<ul style="list-style-type: none"> • For use with base-mount K30L models • 12-gauge, stainless steel, right-angle bracket, curved mounting slot for adjustable orientation • Clearance for M4 (#8) hardware 		SMBDX80D	<ul style="list-style-type: none"> • DIN-mount bracket for K80L models • Hardware included to mount to K80L housing • ABS 	

* K50FL models include a 48 mm (1.9") circular velcro mounting kit for easy mounting with no additional hardware



more sensors, more solutions

WARRANTY: Banner Engineering Corp. warrants its products to be free from defects for one year. Banner Engineering Corp. will repair or replace, free of charge, any product of its manufacture found to be defective at the time it is returned to the factory during the warranty period. This warranty does not cover damage or liability for the improper application of Banner products. This warranty is in lieu of any other warranty either expressed or implied.