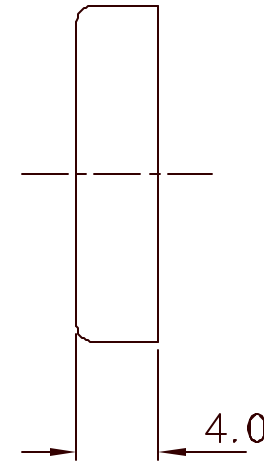
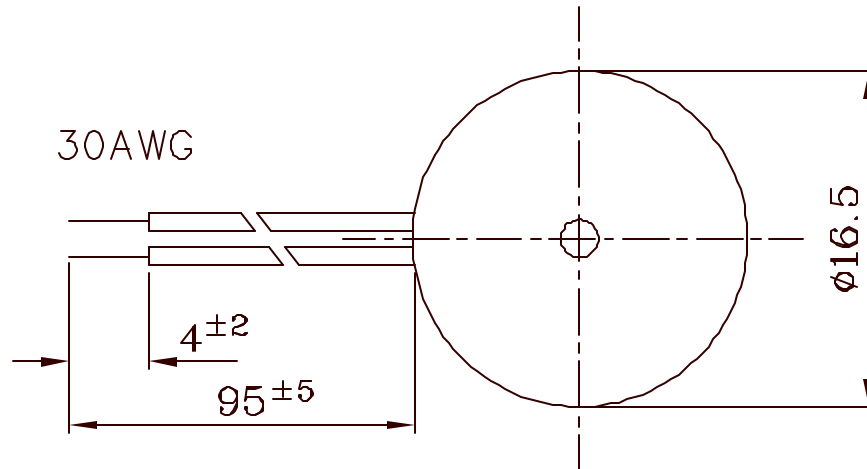


THIS DOCUMENT CONTAINS DATA PROPRIETARY TO PROJECTS UNLIMITED, INC. ANY REPRODUCTION, IN ANY FORM, WITHOUT PRIOR WRITTEN PERMISSION OF PROJECTS UNLIMITED, INC IS PROHIBITED.

SPECIFICATIONS

PARAMETERS	VALUES	UNITS
Rated Voltage (Square Wave)	3	Vp-p
Operating Voltage (max.)	15	Vp-p
Rated Current (max.)	11	mA
Typical Sound Pressure Level @ 10 cm.	80	dBA
Resonant Frequency	4000	Hz
Capacitance	21,000±30%	pF
Operating Temperature Range	-20 ~ +60	°C
Storage Temperature Range	-30 ~ +70	°C
Housing Material	ABS Black	
Terminal	Lead Wires	
Weight	1	g

REVISIONS			
LTR	DESCRIPTION	DATE	APPROVED
-	RELEASED FROM ENGINEERING	5/7/02	



NOTES:

1. ALL DIMENSIONS ARE IN MILLIMETERS.
2. SPECIFICATION SUBJECT TO CHANGE OR WITHDRAWAL WITHOUT NOTICE.
3. WIRE COLOR CODE: RED (+), BLACK (-).

FILE NAME
AT-150.DWG

UNLESS OTHERWISE SPECIFIED, DIMENSIONS ARE IN MILLIMETERS. TOLERANCES ARE:
FRACTIONS DECIMALS ANGLES
± .XX ± 0.3 ±
XXX ±



projects@unlimited

Dayton, Ohio

AUDIO TRANSDUCER
AT-150

APPROVALS	DATE
DRAWN <i>RABL</i>	5/02
CHECKED	
APPROVED <i>S. J.</i>	5/7/02

SIZE	MATERIAL	DRAWING NO.
A		AT-150
SCALE	N/A	MAX. WT.
		SHEET 1 OF 1

DO NOT SCALE DRAWING