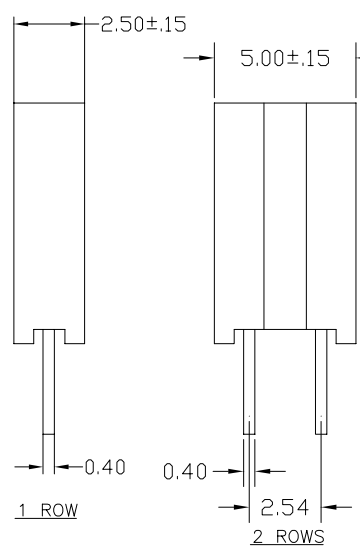
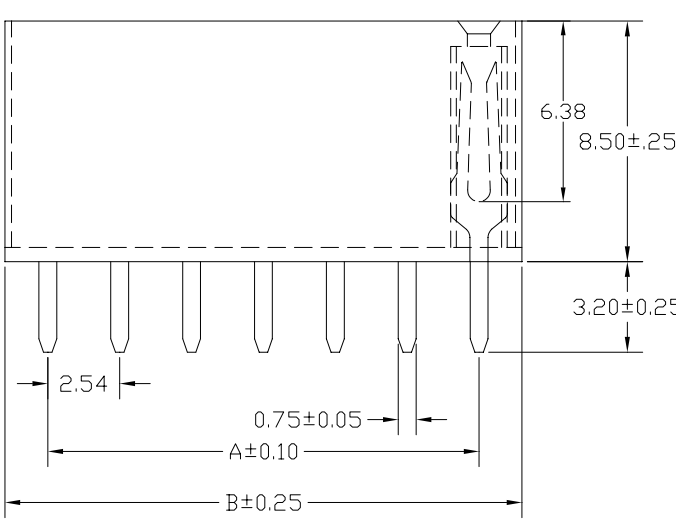
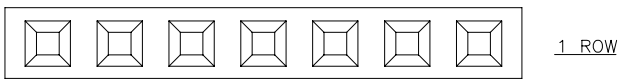
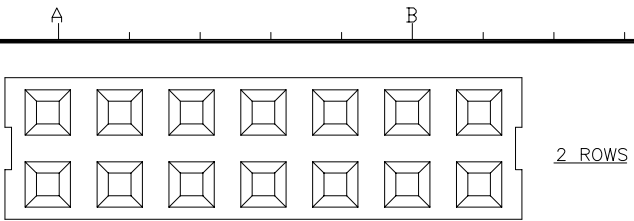


No. of Positions	DIMENSIONS	
	A	B
2	2.54	5.58
3	5.08	8.12
4	7.62	10.66
5	10.16	13.20
6	12.70	15.74
7	15.24	18.28
8	17.78	20.82
9	20.32	23.36
10	22.86	25.90
11	25.40	28.44
12	27.94	30.98
13	30.48	33.52
14	33.02	36.06
15	35.56	38.60
16	38.10	41.14
17	40.64	43.68
18	43.18	46.22
19	45.72	48.76
20	48.26	51.30
21	50.80	53.84
22	53.34	56.38
23	55.88	58.92
24	58.42	61.46
25	60.96	64.00
26	63.50	66.54
27	66.04	69.08
28	68.58	71.62
29	71.12	74.16
30	73.66	76.70
31	76.20	79.24
32	78.74	81.78
33	81.28	84.32
34	83.82	86.86
35	86.36	89.40
36	88.90	91.94
37	91.44	94.48
38	93.98	97.02
39	96.52	99.56
40	99.06	102.10



REV.	ECD	DESCRIPTION	DATE	BY
A	648	INITIAL RELEASE	6/15/2005	TT
B	736	DIM B LETTER, PINS WIDTH	9/19/2005	TT

PART NUMBER CODING
PPxCxxxLFBN-RC

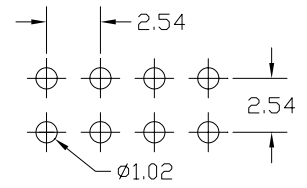
- NUMBER OF ROWS
 - 1 - 1 ROW
 - 2 - 2 ROWS
- NUMBER OF POSITIONS (2 - 40)
- PLATING
 - P - GOLD FLASH OVERALL
 - T - TIN OVERALL

SPECIFICATIONS

Current Rating: 3 Amps
 Insulator resistance: 5000 Megohms min.
 Contact resistance: 20 m ohms max.
 Dielectric withstanding: AC 500 V
 Operating Temperature: -40° to +105°C
 Max Processing Temp: 235°C for 10 Seconds
 Contact Material: Phosphor bronze
 Insulator Material: PBT, UL94V-0
 Plating: See part number coding

Note:
 Selective plating: gold plated on contact area,
 Tin on solder area

RECOMMENDED PCB FOR DOUBLE ROWS



ROHS COMPLIANT

Sullins Electronics
 San Marcos, CA
 www.SullinsElectronics.com

GENERAL TOLERANCE	
XX. ±	XXX. ±
.X ± 0.20	.XXX ±
.X ± 0.10	.X* ±
.XX ± 0.05	.X* ±

SCALE	NTS
UNIT	MM
SIZE	

DRAWN	TT
CHECK	
APPROVE	

DATE	6/15/2005
DATE	
DATE	

DWG. NO.	10492
PARTS NO.	PPxCxxxLFBN-RC

TITLE	2.54mm FEMALE HEADER 8.50mm INSULATOR
-------	--

REV.	B
SHEET	1/1