

378-4423

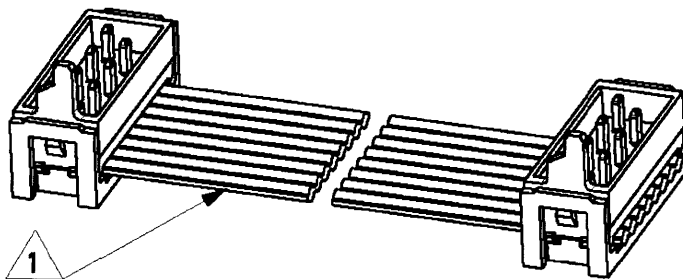
THIS DRAWING IS A CONTROLLED DOCUMENT FOR Tyco Electronics Nederland B.V.  
IT IS SUBJECT TO CHANGE AND THE CONTROLLING ENGINEERING ORGANIZATION SHOULD BE CONTACTED FOR THE LATEST REVISION.

LOC	DIST	LTR	REVISION RECORD	DATE	APVD
H	-	A	EH00-1269-01	16/11/01	HS
-	-	-	-	-	-
-	-	-	-	-	-

1 WIRE RED MARKED

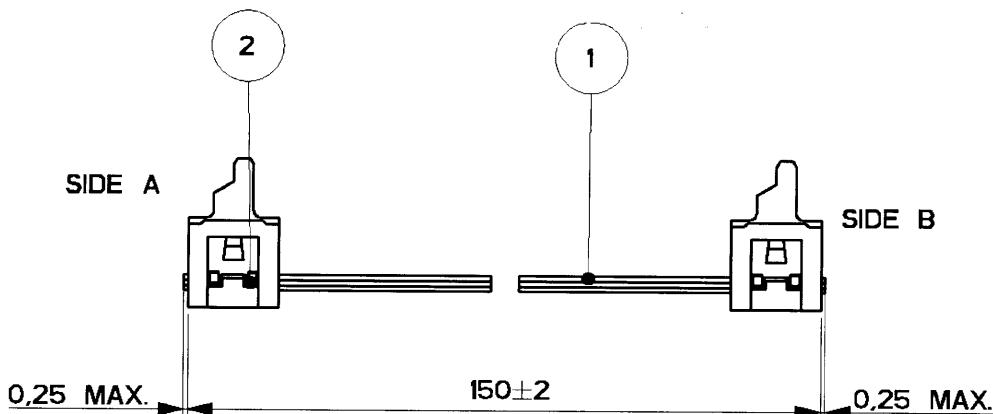
2 ASSEMBLIES ARE PACKAGED ACCORDING PACKAGING SPEC 107-19582

SIDE A



SIDE B

SIDE A



SIDE B

2	MALE ON WIRE CONNECTOR	2
1	BULK WIRE FLAT RIBBON CABLE	1
Item no.	Description	QTY

DIMENSIONS: mm	
TOLERANCES UNLESS OTHERWISE SPECIFIED:	
0 PLC	± -
1 PLC	± -
2 PLC	± -
3 PLC	± -
4 PLC	± -
ANGLES	± -

DWN	H.Spelde
CHR	H. Spelde
APVD	E. Leijtens
PRODUCT SPEC	-
APPLICATION SPEC	-
WEIGHT	-

MATERIAL		FINISH	
<b>AMP</b> Tyco Electronics Nederland B.V. 'S-HERTOGENBOSCH, THE NETHERLANDS			
NAME <b>Micro-MaTch Lead Ass'y</b> <b>8 POSITIONS</b>			
SIZE	CAGE CODE	DRAWING NO	
A4	00779	C-1483352-2	
CUSTOMER DRAWING		SCALE 5:2	SHEET 1 OF 1 REV A

THIS DRAWING IS UNPUBLISHED.

COPYRIGHT -

XXXXXXXXXX DATE: -

By Tyco Electronics Nederland B.V.