

4

3

2

1

THIS DRAWING IS UNPUBLISHED.  
VERTRAULICHE UNVERÖFFENTLICHTE ZEICHNUNG

RELEASED FOR PUBLICATION  
FREI FUER VERÖFFENTLICHUNG  
2000.  
ALL RIGHTS RESERVED.  
ALLE RECHTE VORBEHALTEN

MATED WITH:  
PASSEND ZU:  
HVS-HE.8

LOC  
AI

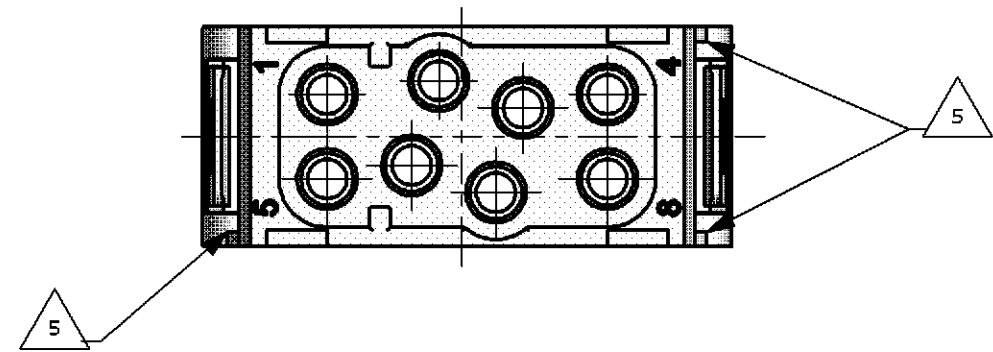
DIST

REVISIONS  
ÄNDERUNGEN

P	LTR	DESCRIPTION	BESCHREIBUNG	DATE	DWN	APVD
	A4	NOTES CORRECTED	ECR-06-029805	21.12.2006	SR	SR

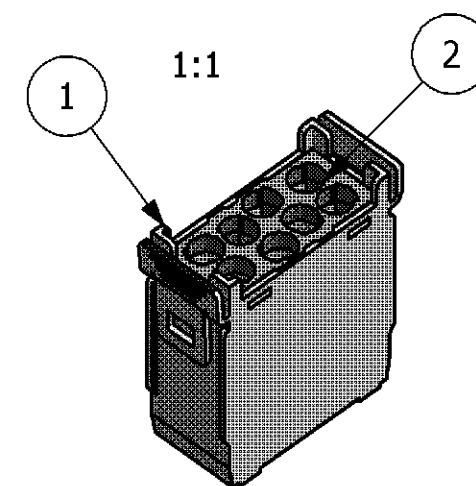
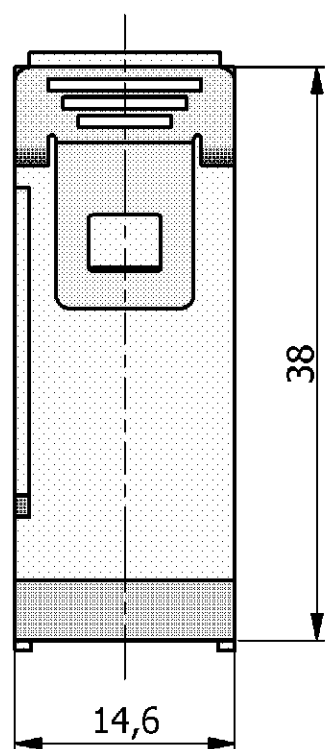
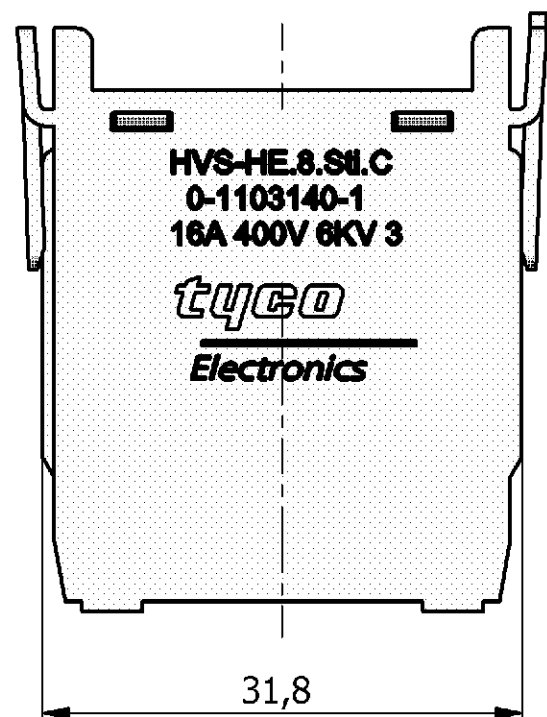
PROJEKT NR.:  
EGGMN04410

Contact arrangement  
view from connecting side



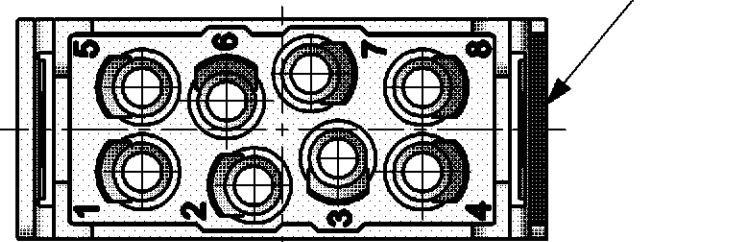
### NOTES

- 1 SUITABLE CRIMP CONTACTS: SERIES HE / HA  
CUSTOMER DRAWING: 1105100  
OUTER DIMENSIONS OF INSULATION: MAX. Ø4,9 MM
- 2 SUITABLE MODULE FIXING FRAME: SERIES HVS SIZE 3 TO 8  
CUSTOMER DRAWING: 1103250
- 3 SUITABLE INSERTION TOOL:  
CUSTOMER DRAWING: 0-1102855-6
- 4 SUITABLE EXTRACTION TOOL:  
CUSTOMER DRAWING: 0-1102855-7
- 5 STANDARDS:  
DIN EN 61984; DIN EN 60664-1
- 6 POLARIZATION RIPS
- 7 MARKING OF POLARIZATION ACCORDING MARKING OF  
MODULE FRAME
- 8 PACKAGING:  
10 SETS IN A CARTON, PRE-MOUNTED



0-1 as shown  
Ordering text: HVS-HE.8.Sti.C

Contact arrangement  
view from termination side



QTY.	DESCRIPTION	MATERIAL	SURFACE	COLOR	NOTE	ITEM
1	COVER MALE INSERT	PBT-GF15	-	LIGHT-GREY	-	2
1	MALE INSERT HVS-HE.8	PBT-GF10		LIGHT-GREY		1

#### PARTS LIST

THIS DRAWING IS A CONTROLLED DOCUMENT FOR AMP INCORPORATED. IT IS SUBJECT TO CHANGE AND THE CONTROLLING ENGINEERING ORGANIZATION SHOULD BE CONTACTED FOR THE LATEST REVISION. DIESES ZEICHNUNGSDOKUMENT WIRD DURCH AMP INCORPORATED KONTROLLIERT. ÄNDERUNGEN, DIE DEM TECHNISCHEN FORTSCHRITT DIENEN, SIND VORBEHALTEN. DEN JEWELN LETZTLIEGENDEN ÄNDERUNGSSTAND ERFAHREN SIE ALF ANFRAGE.		DWN M. SCHWEIGER 23.08.2005	Tyco / Electronics AMP GmbH D - 53819 Neunkirchen	
DIMENSIONS: DIMENSIONEN: mm		CHK TH. SCHNURPFEIL 22.08.2005	Tyco Electronics	
TOLERANCES UNLESS OTHERWISE SPECIFIED: ALLGEMEINTOLERANZEN		APVD	NAME <b>MALE INSERT HVS-HE.8.STI.C</b>	
n. ISO 8015 n. ISO 2768 - mH -E n. DIN 16901 - 140		PRODUCT SPEC PRODUKTSPEZ. 108-74073	SIZE A3	RESTRICTED TO NUR FUER
MATERIAL		APPLICATION SPEC VERARBEITUNGSSPEZ. 114-74073	CAGE CODE 00779	DRAWING NO ZEICHNUNGS-NR. 1103140
FINISH / OBERFLÄCHE / FARBE		WEIGHT GEWICHT	CUSTOMER DRAWING / KUNDENZEICHNUNG	
ANGLES / WINKEL #		SCALE MASSSTAB 2:1		SHEET BLATT 1
		OF VON 1		REV A4