

Professional UHF Transmission for Every Performance

evolution wireless™ 100 Series frees your performance from annoying cables – at a truly affordable price. The 100 Series offers complete, preconfigured systems – simply plug them in and you are ready to go: wireless vocals, presentations, video recordings, you name it!



Sets with handheld transmitters are the classic solution for on-stage vocal work. Various microphone heads are available to suit your every requirement.



Use the plug-on transmitter to convert any wired dynamic microphone into a wireless mic.



Sets with bodypack transmitters (plus a clip-on mic or a headset) are ideal for a performer or speaker who needs free use of both hands. A bodypack also liberates your instrument from the constrictions of a cable!



Alternatively, the sets are also available with the EK 100 miniature bodypack receiver. It is an ideal choice for monitoring or camcorder use.

The 100 Series offers rugged reliability along with straight-forward, menu-driven operation. An easy-to-read peak hold display will temporarily “freeze” peak signal levels and facilitate accurate monitoring.

A choice of four preset frequencies saves you much time when operating several channels simultaneously on stage.

A user-friendly display on the rack-mount receiver allows you to quickly read off all the important transmission parameters. The audio output is available as a balanced 1/4” socket.

The 100 Series: successful wireless performance right from the start.

100 SERIES

evolution wireless Features*

- Preconfigured, ready-to-use systems for every application and every requirement
- Enormous flexibility: 1,280 switchable UHF frequencies
- High output power for long transmission range
- True diversity receivers for highest transmission reliability
- Transmitters and receivers with rugged metal housings
- User-friendly menu control with LC display
- HDX compander for crystal-clear sound
- Low battery consumption allows longer performances
- Stationary receiver and transmitter models designed for 19” standard racks
- Low-battery warning
- Wireless microphones and in-ear monitoring systems fully compatible
- Comprehensive range of accessories to adapt the systems to any application
- Suitable for multi-channel operation

100 Series Features*

- Great ease of use thanks to four switchable preset frequencies
- Convenient audio level display with peak hold
- Balanced audio output
- Rugged, lockable connectors

* Only part of these features apply to the EK bodypack receiver

evolution wireless

Set Overview

Every set is available with either the EM 100 rack-mount receiver or the EK 100* bodypack receiver

(*sets with bodypack receiver are designated by the letter "p" in their model number)



+ SKM 100 handheld transmitter

Set ew 135



+ MD 835 dynamic microphone head, cardioid

Set ew 135-p



+ SKM 100 handheld transmitter

Set ew 145



+ MD 845 dynamic microphone head, super-cardioid

Set ew 145-p



+ SKM 100 handheld transmitter

Set ew 165



+ ME 865 condenser microphone head, super-cardioid

Set ew 165-p



+ SKP 100 plug-on transmitter for wired microphones

Set ew 101



Set ew 101-p



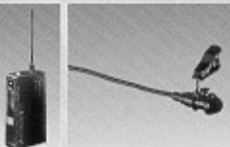
+ SK 100 bodypack transmitter

Set ew 112



+ ME 2 clip-on microphone, omni

Set ew 112-p



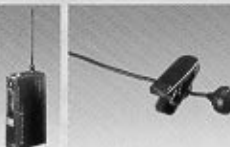
+ SK 100 bodypack transmitter

Set ew 122



+ ME 4 clip-on microphone, cardioid

Set ew 122-p



+ SK 100 bodypack transmitter

Set ew 152



+ ME 3 headset, super-cardioid

Set ew 152-p



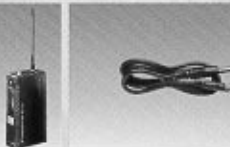
+ SK 100 bodypack transmitter

Set ew 172



+ Instrument cable

Set ew 172-p



Accessories



CC 1 – Hard-shell case for your evolution wireless set



MZQ 1 – Microphone clamp for handheld transmitter



MZW 1 – Wind screen for handheld transmitter



CL 2 – Line cable for bodypack transmitter



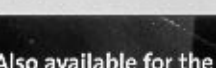
C1 1 – Guitar cable for bodypack transmitter



AB 1 – Antenna booster for use with ASP 1



ASP 1 – Antenna splitter with centralized power supply for receivers



AM 1 – Front antenna mount

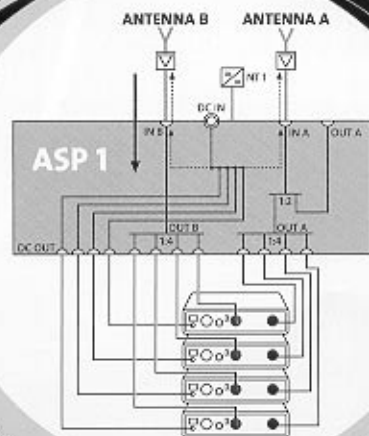
Also available for the EK 100 bodypack receiver:
A 17 helical antenna • **DC 1** camera power supply adapter



Application examples of the GA 1 rack adapter and AM 1 antenna mount



Below: Circuit diagram of the ASP 1 antenna splitter feeding four receivers by a single pair of antennas



ew 100 System

Modulation	wideband FM
Frequency ranges	518-550, 630-662, 740-772, 790-822, 838-870 MHz
Switchable frequencies	1,280
Frequency presets	4
Switching bandwidth	32 MHz
Peak deviation	± 48 kHz
Compressor system	Sennheiser HDX
AF frequency response	60-18,000 Hz
Signal-to-noise ratio	> 110 dB (A)
TMD (1 kHz)	< 0.9 %
In compliance with	ETS 300 422, ETS 300 445, CE, FCC
System case	Dimensions: 380 x 370 x 70 mm Weight: approx. 3 kg

EM 100 Rack-Mount Receiver

Receiver type	True Diversity
Antenna inputs	2 BNC sockets, 50 Ω
AF output	1/4" jack socket
Max. output level	balanced: + 10 dBu, unbalanced: + 4 dBu
Headphone output	-
Power supply	10.5 - 16 V DC
Dimensions	212 x 145 x 38 mm
Weight	approx. 1,100 g

EK 100 Bodypack Receiver

AF output	1/8" jack socket
Max. output level	unbalanced: + 4 dBu
Headphone output	-
Power supply	9 V alkaline-manganese
Operating time	> 4 - 6 h
Dimensions	110 x 65 x 22 mm
Weight	approx. 255 g

Transmitters

	SKM 100 Handheld Transmitter	SK 100 Bodypack Transmitter	SKP 100 Plug-On Transmitter
RF output power	typ. 30 mW	typ. 30 mW	typ. 30 mW
Power supply	9 V alkaline-manganese, 6LR61	9 V alkaline-manganese, 6LR61	9 V alkaline-manganese, 6LR61
Operating time	> 8 h	> 8 h	> 8 h
Max. input voltage	-	mic 1.8 V _{rms} / line 2.4 V _{rms}	2.9 V _{rms}
Phantom powering	-	-	-
Dimensions	∅ 50 mm, l = 225 mm	110 x 65 x 22 mm	105 x 43 x 43 mm
Weight	approx. 450 g	approx. 255 g	approx. 195 g

Microphones for SK 100

	ME 2	ME 4	ME 3 Headset
Transducer	electret	electret	electret
Sensitivity	20 mV/Pa	40 mV/Pa	1.6 mV/Pa
Max. SPL	130 dB	120 dB	150 dB
Pick-up pattern	omni	cardioid	super-cardioid

Microphone Heads for SKM 100

	MD 835	MD 845	ME 865
Transducer	dynamic	dynamic	electret
Sensitivity	1.5 mV/Pa	1 mV/Pa	3 mV/Pa
Max. SPL	150 dB	154 dB	144 dB
Pick-up pattern	cardioid	super-cardioid	super-cardioid