

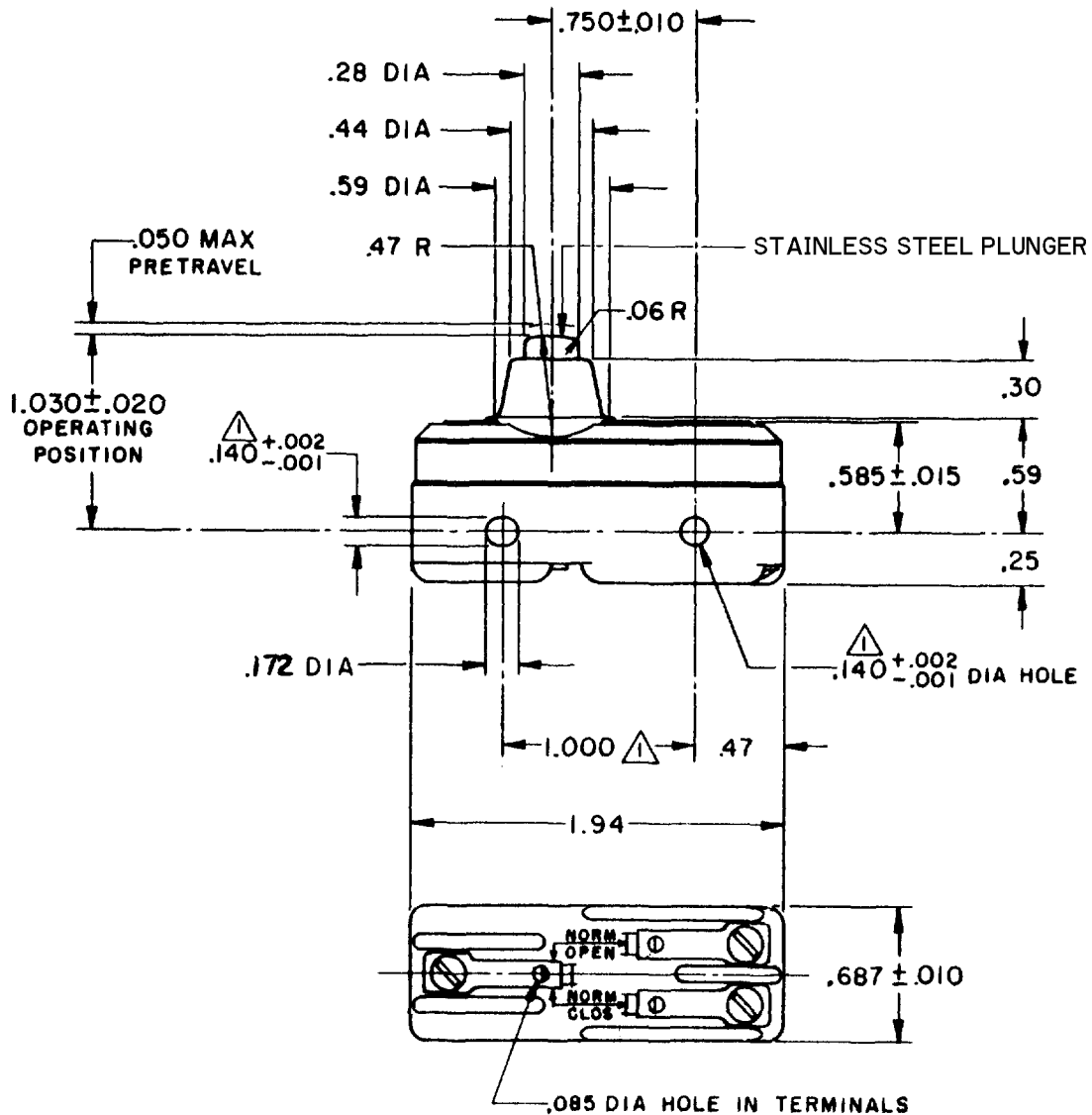
MICRO SWITCH

A DIVISION OF MINNEAPOLIS-HONEYWELL REGULATOR COMPANY
 ST. LOUIS, MISSOURI
 FED. MFR. CODE 91929

SWITCH - BASIC

CATALOG LISTING
BA-2RB

CATALOG LISTING
BA-2RB
 PAGE 1 OF 1
M
 DRAWING NUMBER
10
 ISSUE
 REVISIONS
 A CO 9600
 RER 25 APR 60
 B CO34310
 K P 20 DEC 74
 C CO 77590
 SAD 10 JUN 94
 D CO93346
 DLT 22 AUG 98
 E CO-94212-C
 DLT 20 SEP 99
 F CO-95750-B
 CSL 31 MAR 00
 FORMTEK
 FO-50378
 DRAWN
 RER 25 APR 60
 CHECK
 GCH 9 MAY 60
 CHECK
 H 25 APR 60
 CHECK
 I 25 APR 60
 CHECK
 J 25 APR 60
 CHECK
 K 25 APR 60
 CHECK
 L 25 APR 60
 CHECK
 M 25 APR 60
 CHECK
 N 25 APR 60
 CHECK
 O 25 APR 60
 CHECK
 P 25 APR 60
 CHECK
 Q 25 APR 60
 CHECK
 R 25 APR 60
 CHECK
 S 25 APR 60
 CHECK
 T 25 APR 60
 CHECK
 U 25 APR 60
 CHECK
 V 25 APR 60
 CHECK
 W 25 APR 60
 CHECK
 X 25 APR 60
 CHECK
 Y 25 APR 60
 CHECK
 Z 25 APR 60
 CHECK
 AA 25 APR 60
 CHECK
 AB 25 APR 60
 CHECK
 AC 25 APR 60
 CHECK
 AD 25 APR 60
 CHECK
 AE 25 APR 60
 CHECK
 AF 25 APR 60
 CHECK
 AG 25 APR 60
 CHECK
 AH 25 APR 60
 CHECK
 AI 25 APR 60
 CHECK
 AJ 25 APR 60
 CHECK
 AK 25 APR 60
 CHECK
 AL 25 APR 60
 CHECK
 AM 25 APR 60
 CHECK
 AN 25 APR 60
 CHECK
 AO 25 APR 60
 CHECK
 AP 25 APR 60
 CHECK
 AQ 25 APR 60
 CHECK
 AR 25 APR 60
 CHECK
 AS 25 APR 60
 CHECK
 AT 25 APR 60
 CHECK
 AU 25 APR 60
 CHECK
 AV 25 APR 60
 CHECK
 AW 25 APR 60
 CHECK
 AX 25 APR 60
 CHECK
 AY 25 APR 60
 CHECK
 AZ 25 APR 60
 CHECK
 BAA 25 APR 60
 CHECK
 BAB 25 APR 60
 CHECK
 BAC 25 APR 60
 CHECK
 BAD 25 APR 60
 CHECK
 BAE 25 APR 60
 CHECK
 BAF 25 APR 60
 CHECK
 BAG 25 APR 60
 CHECK
 BAH 25 APR 60
 CHECK
 BAI 25 APR 60
 CHECK
 BAJ 25 APR 60
 CHECK
 BAK 25 APR 60
 CHECK
 BAL 25 APR 60
 CHECK
 BAM 25 APR 60
 CHECK
 BAN 25 APR 60
 CHECK
 BAO 25 APR 60
 CHECK
 BAP 25 APR 60
 CHECK
 BAQ 25 APR 60
 CHECK
 BAR 25 APR 60
 CHECK
 BAS 25 APR 60
 CHECK
 BAT 25 APR 60
 CHECK
 BAU 25 APR 60
 CHECK
 BAV 25 APR 60
 CHECK
 BAW 25 APR 60
 CHECK
 BAX 25 APR 60
 CHECK
 BAY 25 APR 60
 CHECK
 BAZ 25 APR 60
 CHECK
 BBA 25 APR 60
 CHECK
 BBA-2RB
 (M) BA-2RB
 ISSUE 4
 REPLACES
 RELEASE NO.



NOTE
 ▲ MOUNTING HOLES WILL ACCEPT PINS OR SCREWS
 OF .139 MAX DIA ON 1.000 ± .002 CENTERS

THIS DRAWING COVERS A PROPRIETARY ITEM AND IS THE PROPERTY OF MICRO SWITCH, A DIVISION OF MINNEAPOLIS-HONEYWELL REGULATOR CO. THIS DRAWING IS NOT TO BE COPIED OR USED WITHOUT THE APPROVAL OF MICRO SWITCH.

CHARACTERISTICS	ELECTRICAL DATA	SCALE FULL
OPERATING FORCE - - - - - 14-22 OZ	CONTACT ARRANGEMENT S P D T	DO NOT SCALE PRINT
RELEASE FORCE - - - - - 10 OZ MIN	L23 UNDERWRITERS' LAB. INC. LISTED RATING 20A - 125, 250 OR 480 VAC 10A - 125 VAC "L" 1HP - 125 VAC, 2HP - 250 VAC 1/2A - 125 VDC, 1/4A - 250 VDC CE Ⓟ SP	UNLESS OTHERWISE SPECIFIED DIMENSIONS ARE IN INCHES TOLERANCES ARE: ONE PLACE (.0) ± .030 TWO PLACE (.00) ± .015 THREE PLACE (.000) ± .008 ANGLES ±
DIFFERENTIAL TRAVEL - - - .002-.0075		
OVERTRAVEL - - - - - .094 MIN	20(3)A 250V ~ T85 5E4	WEIGHT .051 LB