



**Tarzan AC - TNE3A - 020172**  
 (Family) (Model) (Part Number)

## Electrical Specifications

Rated Voltage:	230 VAC
AC Frequency:	60 Hz
Power Supply:	59.0 Watts
Line Current:	0.25 Amps
Locked Rotor Current	0.65 Amps
Nominal Speed:	3350 RPM

## Mechanical Specifications

Dimensions:	6.93in x 4.41in
Weight	80.0 oz
Max Airflow @ 0 in H <sub>2</sub> O	330.0 CFM
Max Pressure @ 0 CFM	0.871 in H <sub>2</sub> O
Noise	65.4 dBA



Comair Rotron, Inc.  
 Phone: 858.348.6200  
 sales@comairrotron.com

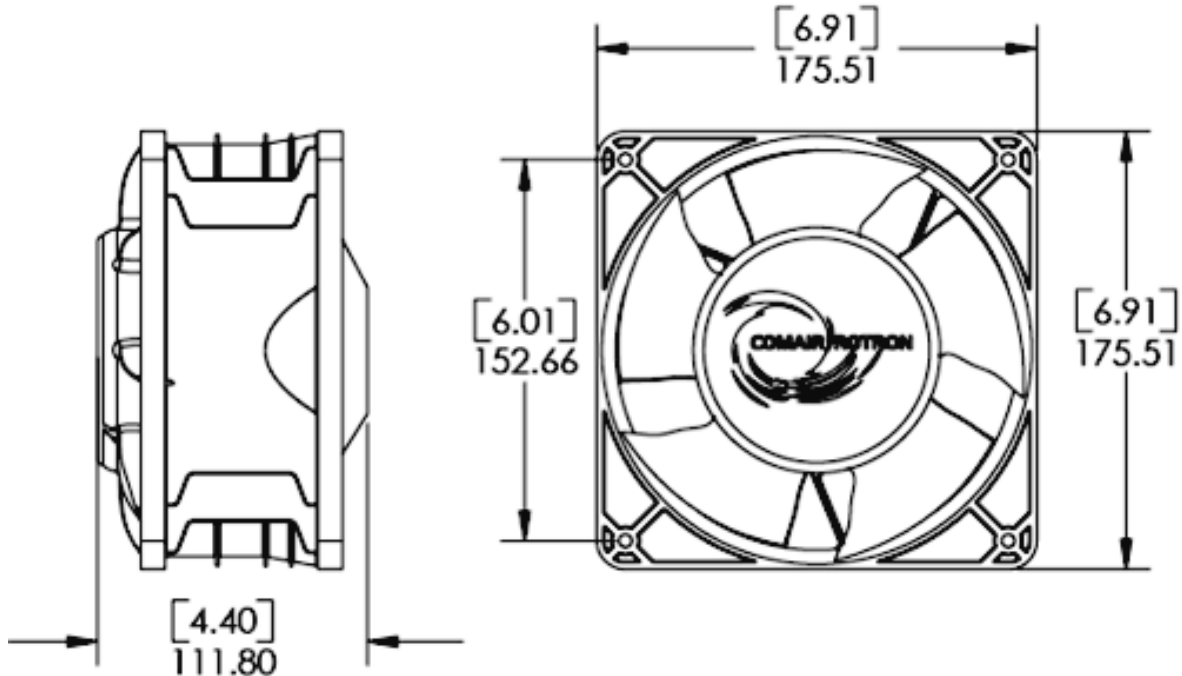
Comair Rotron Europe, Ltd.  
 Phone: +44.1527.520525  
 saleseurope@comairrotron.com

Comair Rotron Fan Company Ltd.  
 Phone: +86.21.52260581  
 salesasia@comairrotron.com

Print Date: Monday, February 18, 2008 at 05:09:25 - AC Fan Datasheet - Web Version 1.0 Rev. A



## Mechanical Drawing

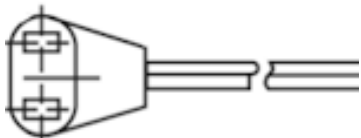


## Options

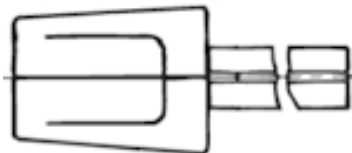
Part Number	Model Number	Bearing Type	Fan Rotation	Termination	In-Stock (Click 'Yes' for current stock)
020172	TNE3A	Ball	Normal	Terminals	No
020177	TNE3C	Ball	Normal	12 in 22 AWG Leads	No

## Accessories [\(Click on part number for detailed drawing.\)](#)

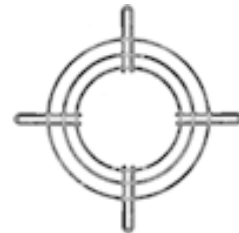
**428056**  
Plug and Cord



**550440**  
Plug and Cord



**476136**  
Finger Guard



**Comair Rotron, Inc.**  
Phone: 858.348.6200

**Comair Rotron Europe, Ltd.**  
Phone: +44.1527.520525

**Comair Rotron Fan Company Ltd.**  
Phone: +86.21.52260581

