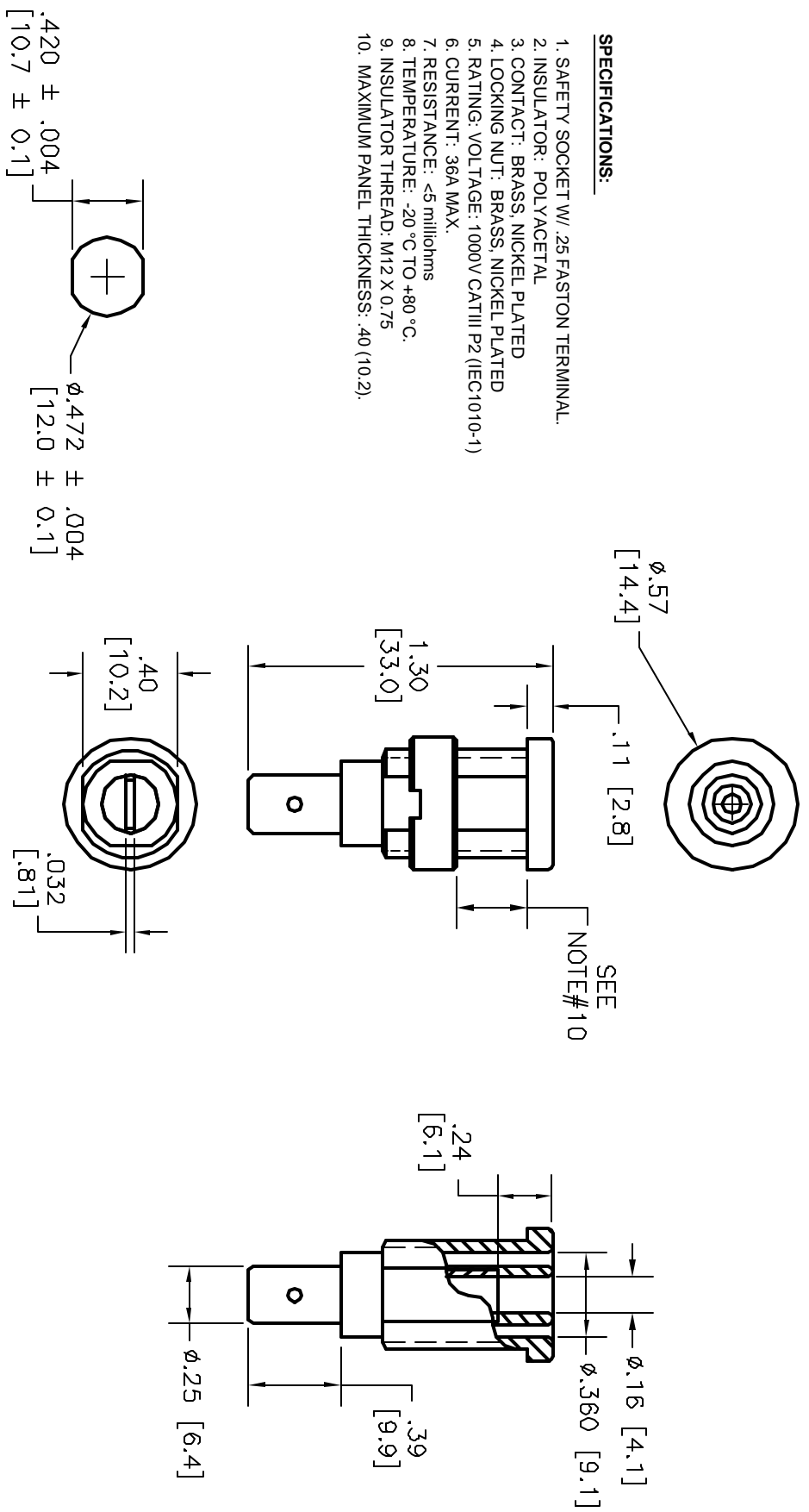


ALL RIGHTS RESERVED. NO PORTION OF THIS PUBLICATION, WHETHER IN WHOLE OR IN PART CAN BE REPRODUCED WITHOUT THE EXPRESS WRITTEN CONSENT OF SPC TECHNOLOGY.

REVISIONS		DOC. NO.	DATE	CHECKD	DATE	APPRVD	DATE
DOP #	REV	DESCRIPTION	DRAWN	DATE	CHECKD	DATE	APPRVD
170	A	RELEASED	SAS	07/07/99	JC	2/2/00	DJC
						4/5/00	

SPECIFICATIONS:

1. SAFETY SOCKET W/ .25 FASTON TERMINAL.
2. INSULATOR: POLYACETAL
3. CONTACT: BRASS, NICKEL PLATED
4. LOCKING NUT: BRASS, NICKEL PLATED
5. RATING: VOLTAGE: 1000V CATIII P2 (IEC1010-1)
6. CURRENT: 36A MAX.
7. RESISTANCE: <5 milliohms
8. TEMPERATURE: -20 °C TO +80 °C.
9. INSULATOR THREAD: M12 X 0.75
10. MAXIMUM PANEL THICKNESS: .40 (10.2).



DISCLAIMER
 ALL STATEMENTS AND TECHNICAL INFORMATION CONTAINED HEREIN ARE BASED UPON INFORMATION AND/OR TESTS WE BELIEVE TO BE ACCURATE AND RELIABLE. SINCE CONDITIONS OF USE ARE BEYOND OUR CONTROL, THE USER SHALL DETERMINE THE SUITABILITY OF THE PRODUCT FOR THE INTENDED USE AND ASSUME ALL RISK AND LIABILITY WHATSOEVER IN CONNECTION THEREWITH.

SPC TECHNOLOGY

DRAWING TITLE: **SAFETY SOCKET, TERMINAL, BLACK**

Tolerances Unless Otherwise Specified	Decimals	XX ± .01
Fractions ± 1/32	Decimals	.XXX ± .005

DRAWN BY: SCOTT SERRITELLA	DATE: 07/07/99	SIZE: A	DWG. NO.: 2266	ELECTRONIC FILE: 92N4628.DWG	REV: A
CHECKED BY: JOHN COLE	DATE: 2/2/00	SCALE: NTS	U.O.M.: INCHES [mm]	SHEET: 1 OF 1	
APPROVED BY: DANIEL CAREY	DATE: 4/5/00				