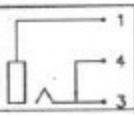
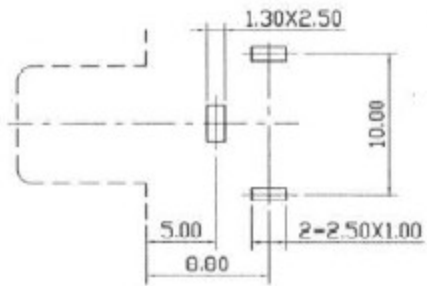
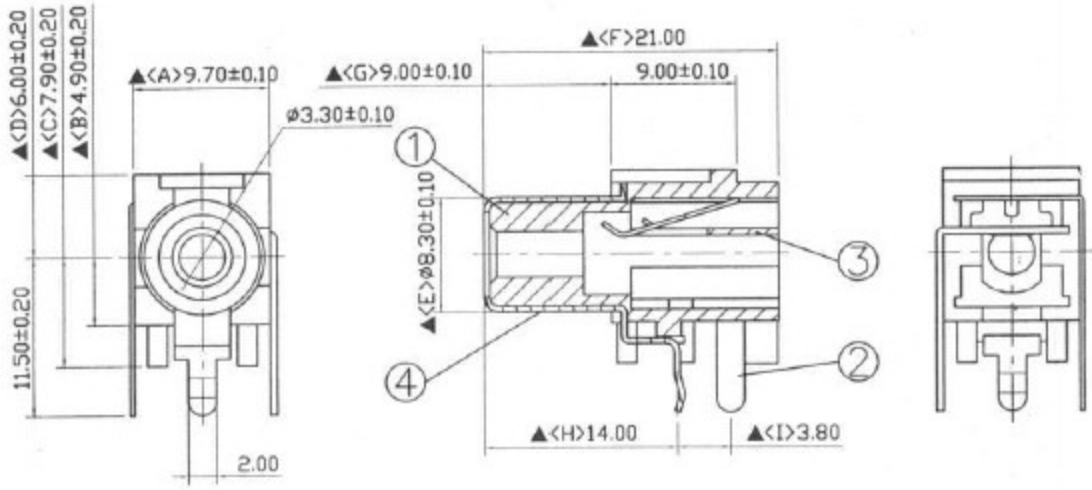


SCHEMATIC



MODEL NO

V



Pin Hole Layout
(Jack Bottom View)

4.	Barrel (Sleeve)	0.4T Brass	1	Nickel Plated
3.	Spring Terminal	0.3T Phosphor Bronze	1	Silver Plated
2.	Break Terminal	0.5T Brass	1	Silver Plated
1.	Plastic Body	P.B.T (UL 94V-0)	1	Black Color
NO.	Description	Material	Q'TY	Finish

SPECIFICATIONS:

Contact Resistance : 30mΩ max
 Insulation Resistance : 100MΩ min. at DC 500V
 Dielectric Withstand Voltage : AC 500V for one minute
 Remark: ▲ : The Most Important Dimension

今入企業股份有限公司
 JIN RUH CO., LTD

DATE	DWN	CHKD	APPD	總經銷
03.11.2003	陳梅	梅	梅	梅

PART NAME : PIN JACK

PART NUMBER: JR2417

VERSION:2.0