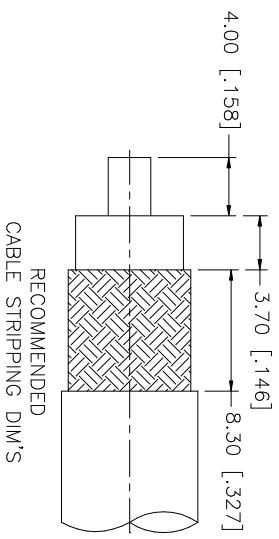
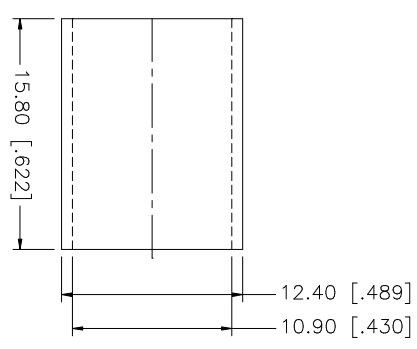
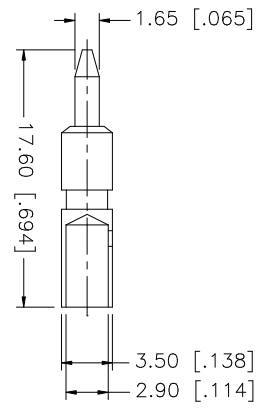
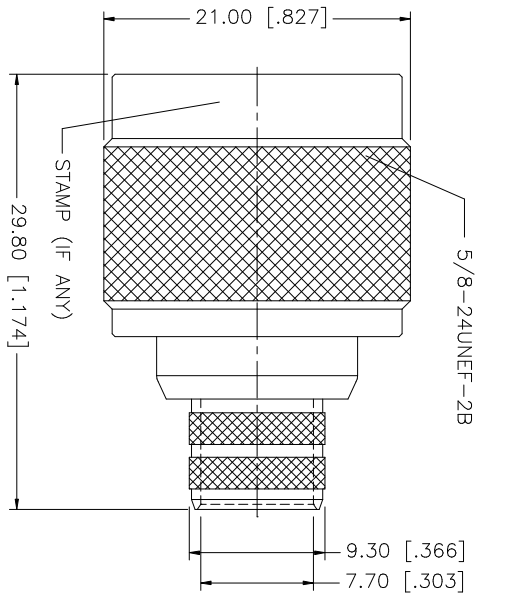


REV.	DATE	DESCRIPTION
A	02/08/03	UPDATE DRAWING FORMAT



- NOTE:
1. CRIMPED FERRULE  
HEX CRIMP SIZE .429"
  2. CRIMPED CONTACT PL  
HEX CRIMP SIZE .118"

QTY	FINISH	MATERIAL	DESCRIPTION
1	NATURAL	BRASS	SHELL/BODY
1	RED	SILICONE	GASKET
1	NATURAL	SUS 304	RETAINER RING
1	GOLD	BRASS	CONTACT PIN
1	ALLOY PLATING	COPPER	FERRULE

APPROVALS	DATE
DRAWN G.R.S.	02/08/03
CHECKED	
ISSUED	
SHEET 1 OF 1	

DO NOT SCALE DRAWING	UNLESS OTHERWISE SPECIFIED DIMENSIONS ARE IN MILLIMETERS. DIMENSIONS IN [ ] ARE IN INCHES AND FOR CUSTOMER REFERENCE ONLY.
	UNLESS OTHERWISE SPECIFIED TOLERANCES FOR MILLIMETERS ARE: 0.5 - 8mm ± 0.20mm 8 - 30mm ± 0.40mm 30 - 120mm ± 0.50mm
	UNLESS OTHERWISE SPECIFIED TOLERANCES FOR INCHES ARE: .020 - .315 ± 0.007" .315 - 1.180 ± 0.015" 1.180 - 4.724 ± 0.020"

CAD FILE	DWG. NO.	REV.	SIZE	SCALE
C:/172/172102H243.DWG	172102H243	A	A	NA

PART DESCRIPTION	PART NO.
N CRIMP PLUG - FOR BELDEN 9913, 9914 BRAND REX H243 + LMR 400	172102H243

# Amphenol **Connex**