



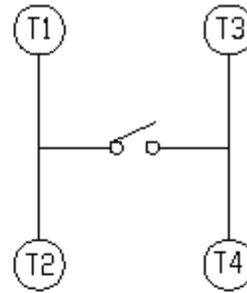
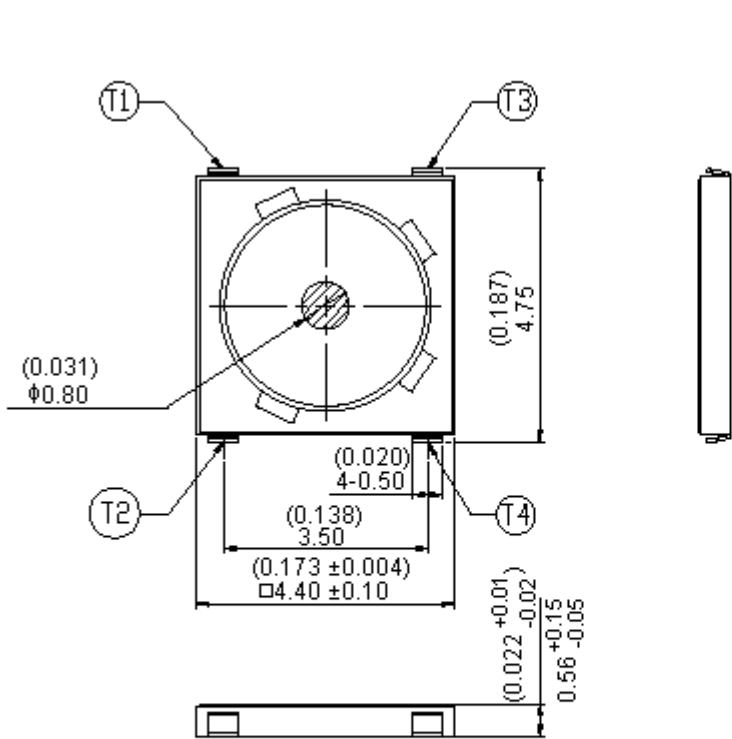
PART NO.

MCTJ-416-V

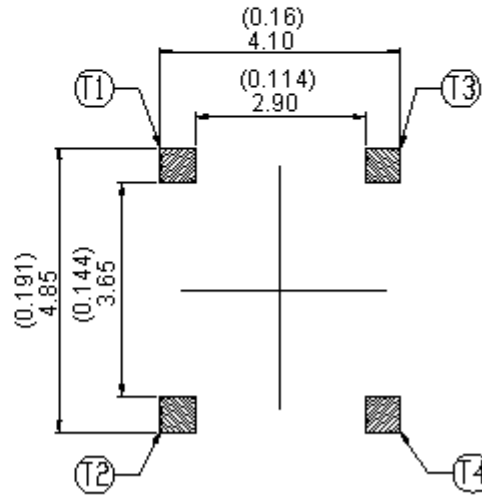
REVISIONS

ECN #	REV	DESCRIPTION	DRAWN	DATE	CHECKD	DATE	APPRVD	DATE
-	A	RELEASED	Geetha	03/6/08	Suresh	03/6/08	G. C	17/6/08

MCTJ4



Circuit Diagram



PCB Layout

Dimensions : Millimetres (Inches)

This data sheet and its contents (the "Information") belong to the Premier Farnell Group (the "Group") or are licensed to it. No licence is granted for the use of it other than for information purposes in connection with the products to which it relates. No licence of any intellectual property rights is granted. The Information is subject to change without notice and replaces all data sheets previously supplied. The Information supplied is believed to be accurate but the Group assumes no responsibility for its accuracy or completeness, any error in or omission from it or for any use made of it. Users of this data sheet should check for themselves the Information and the suitability of the products for their purpose and not make any assumptions based on information included or omitted. Liability for loss or damage resulting from any reliance on the Information or use of it (including liability resulting from negligence or where the Group was aware of the possibility of such loss or damage arising) is excluded. This will not operate to limit or restrict the Group's liability for death or personal injury resulting from its negligence. SPC MULTICOMP is the registered trademark of the Group. © Premier Farnell plc 2008.

TOLERANCES:
UNLESS OTHERWISE SPECIFIED, DIMENSIONS ARE FOR REFERENCE PURPOSES ONLY.

DRAWN BY:	DATE:
Geetha	03/06/08
CHECKED BY:	DATE:
Suresh	03/06/08
APPROVED BY:	DATE:
G.Cook	17/06/08

DRAWING TITLE:			
TACT Switch - Vertical SMD			
SIZE	DWG NO.	ELECTRONIC FILE	REV
A	M10001228	TJ-4-V_DWG	A
SCALE: NTS	U.O.M.: mm (Inches)	SHEET: 1 OF 3	



PART NO.

MCTJ-416-V

REVISIONS

ECN #	REV	DESCRIPTION	DRAWN	DATE	CHECKD	DATE	APPRVD	DATE
-	A	RELEASED	Geetha	03/6/08	Suresh	03/6/08	G. C	17/6/08

Specifications:

Mechanical:

Operating force : 160 ±50gf.
 Stroke : 0.2 ±0.1mm.
 Operating temperature range : -20°C to +70°C.
 Storage temperature range : -30°C to +80°C.

Electrical:

Electrical life : 200,000 cycles.
 50mA, 12V dc.
 Maximum contact resistance : 100mΩ.
 Minimum insulation resistance : 100MΩ at 500V dc.
 Dielectric strength : 350V ac/1minute.
 Contact arrangement : 1 pole 1 throw.

Material:

Base : High-temperature thermoplastic.
 Color : Black.
 Contact : Stainless steel with silver cladding.
 Terminal : Phosphor bronze with silver cladding.
 Tape : Kapton.

Soldering Process:

Hand Soldering : Use a soldering iron of 30 watts, controlled at 350°C approximately 5 seconds while applying solder.
Reflow Soldering : Vapor phase and reflow soldering can be applied.

This data sheet and its contents (the "Information") belong to the Premier Farnell Group (the "Group") or are licensed to it. No licence is granted for the use of it other than for information purposes in connection with the products to which it relates. No licence of any intellectual property rights is granted. The Information is subject to change without notice and replaces all data sheets previously supplied. The Information supplied is believed to be accurate but the Group assumes no responsibility for its accuracy or completeness, any error in or omission from it or for any use made of it. Users of this data sheet should check for themselves the Information and the suitability of the products for their purpose and not make any assumptions based on information included or omitted. Liability for loss or damage resulting from any reliance on the Information or use of it (including liability resulting from negligence or where the Group was aware of the possibility of such loss or damage arising) is excluded. This will not operate to limit or restrict the Group's liability for death or personal injury resulting from its negligence. SPC MULTICOMP is the registered trademark of the Group. © Premier Farnell plc 2008.

TOLERANCES: UNLESS OTHERWISE SPECIFIED, DIMENSIONS ARE FOR REFERENCE PURPOSES ONLY.	DRAWN BY:	DATE:	DRAWING TITLE: TACT Switch - Vertical SMD			
	Geetha	03/06/08				
	CHECKED BY:	DATE:	SIZE	DWG NO.	ELECTRONIC FILE	REV
	Suresh	03/06/08	A	M10001228	TJ-4-V_DWG	A
	APPROVED BY:	DATE:	SCALE: NTS		U.O.M.: mm (Inches)	
G.Cook	17/06/08					



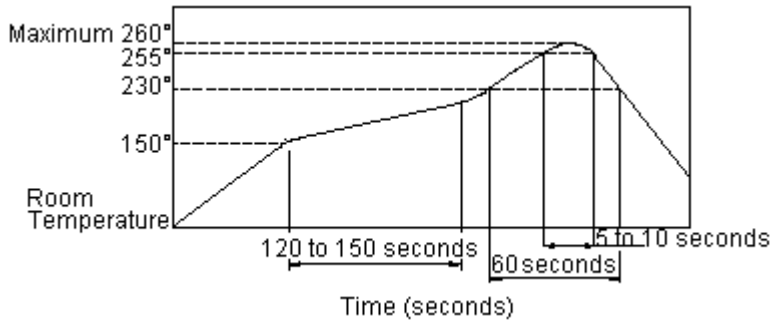
PART NO.

MCTJ-416-V

REVISIONS

ECN #	REV	DESCRIPTION	DRAWN	DATE	CHECKD	DATE	APPRVD	DATE
-	A	RELEASED	Geetha	03/6/08	Suresh	03/6/08	G. C	17/6/08

Temperature Profile:



Part Number Table

Description	Part Number
Switch, Micro Tactile SMD	MCTJ-416-V

Part Number Explanation:



- Terminal Type : J = J Bend.
- Product Size : 4 = 4.4 x 4.4mm.
- Operating Force : 16 = 160gf.
- Soldering : V = Lead Free Solderable.

<http://www.farnell.com>
<http://www.newark.com>
<http://www.cpc.co.uk>

This data sheet and its contents (the "Information") belong to the Premier Farnell Group (the "Group") or are licensed to it. No licence is granted for the use of it other than for information purposes in connection with the products to which it relates. No licence of any intellectual property rights is granted. The Information is subject to change without notice and replaces all data sheets previously supplied. The Information supplied is believed to be accurate but the Group assumes no responsibility for its accuracy or completeness, any error in or omission from it or for any use made of it. Users of this data sheet should check for themselves the Information and the suitability of the products for their purpose and not make any assumptions based on information included or omitted. Liability for loss or damage resulting from any reliance on the Information or use of it (including liability resulting from negligence or where the Group was aware of the possibility of such loss or damage arising) is excluded. This will not operate to limit or restrict the Group's liability for death or personal injury resulting from its negligence. SPC MULTICOMP is the registered trademark of the Group. © Premier Farnell plc 2008.

TOLERANCES:
UNLESS OTHERWISE SPECIFIED, DIMENSIONS ARE FOR REFERENCE PURPOSES ONLY.

DRAWN BY:	DATE:
Geetha	03/06/08
CHECKED BY:	DATE:
Suresh	03/06/08
APPROVED BY:	DATE:
G.Cook	17/06/08

DRAWING TITLE:			
TACT Switch - Vertical SMD			
SIZE	DWG NO.	ELECTRONIC FILE	REV
A	M10001228	TJ-4-V_DWG	A
SCALE: NTS	U.O.M.: mm (Inches)	SHEET: 3 OF 3	