



## General Specifications

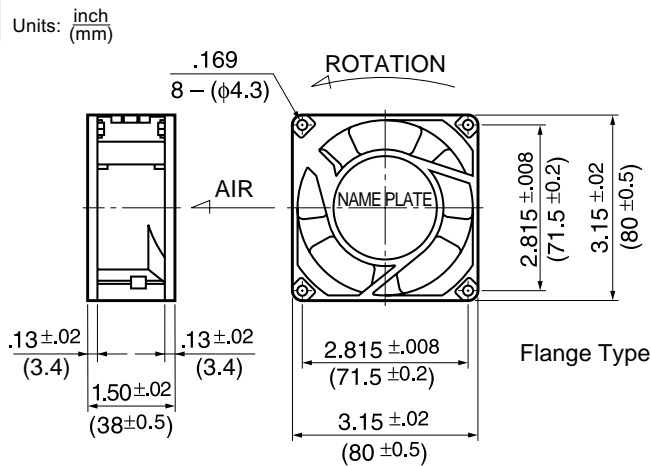
### Allowable Ambient Temperature Range:

- 10°C ~ +70°C (Operating)
- 40°C ~ +70°C (Storage)
- (non-condensing environment)

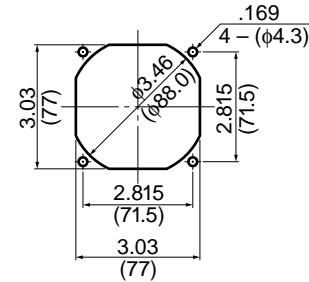
**Motor Structure:** Shaded Pole Induction Motor

**Motor Protection:** Impedance Protection

## Outline



## Panel Cut-outs



INLET SIDE / OUTLET SIDE

## Material

- Casing : Aluminum
- Impeller : UL94V-O Reinforced Plastic
- Bearing : Ball Bearings
- Lead Wire: AWG22, UL3266, CSA CL1252
- or Terminal: Faston #110 or equivalent

## Specifications

MODEL	Rated Voltage	Frequency	Starting Voltage	Current	Input Power	Speed	Max. Air Flow		Max. Static Pressure		Noise	Mass
	(V)	(Hz)	(V)	(A) <sup>*1</sup>	(W) <sup>+10% -20%</sup>	(min <sup>-1</sup> ) <sup>*2</sup>	CFM <sup>*2</sup>	(m <sup>3</sup> /min) <sup>*2</sup>	in H <sub>2</sub> O	(Pa) <sup>*2</sup>	(dB) <sup>*2</sup>	(g)
3115FS-12T-B00-A00	115	60	75	0.045	4.0	1850	18.0	0.51	.07	17.5	31	340
3115FS-12T-B10-A00	115	60	75	0.087	6.0	2100	22.0	0.62	.09	22.5	36	340
3115FS-12T-B20-A00	115	60	75	0.090	7.0	2700	27.0	0.76	.13	32.5	40	340
3115FS-12T-B30-A00	115	60	75	0.100	8.5	3250	32.0	0.90	.18	45.0	44	340
3115FS-23T-B10-A00	230	60	175	0.050	6.5	2050	20.0	0.57	.09	22.5	35	340
3115FS-23T-B20-A00	230	60	175	0.060	7.5	2750	28.0	0.79	.13	32.5	40	340
3115FS-23T-B30-A00	230	60	175	0.065	8.0	3250	33.0	0.93	.18	45.0	44	340

Rotation: Counterclockwise

Airflow Outlet: Air In Over Struts

\*1: Maximum Values in Free Air

\*2: Average Values in Free Air



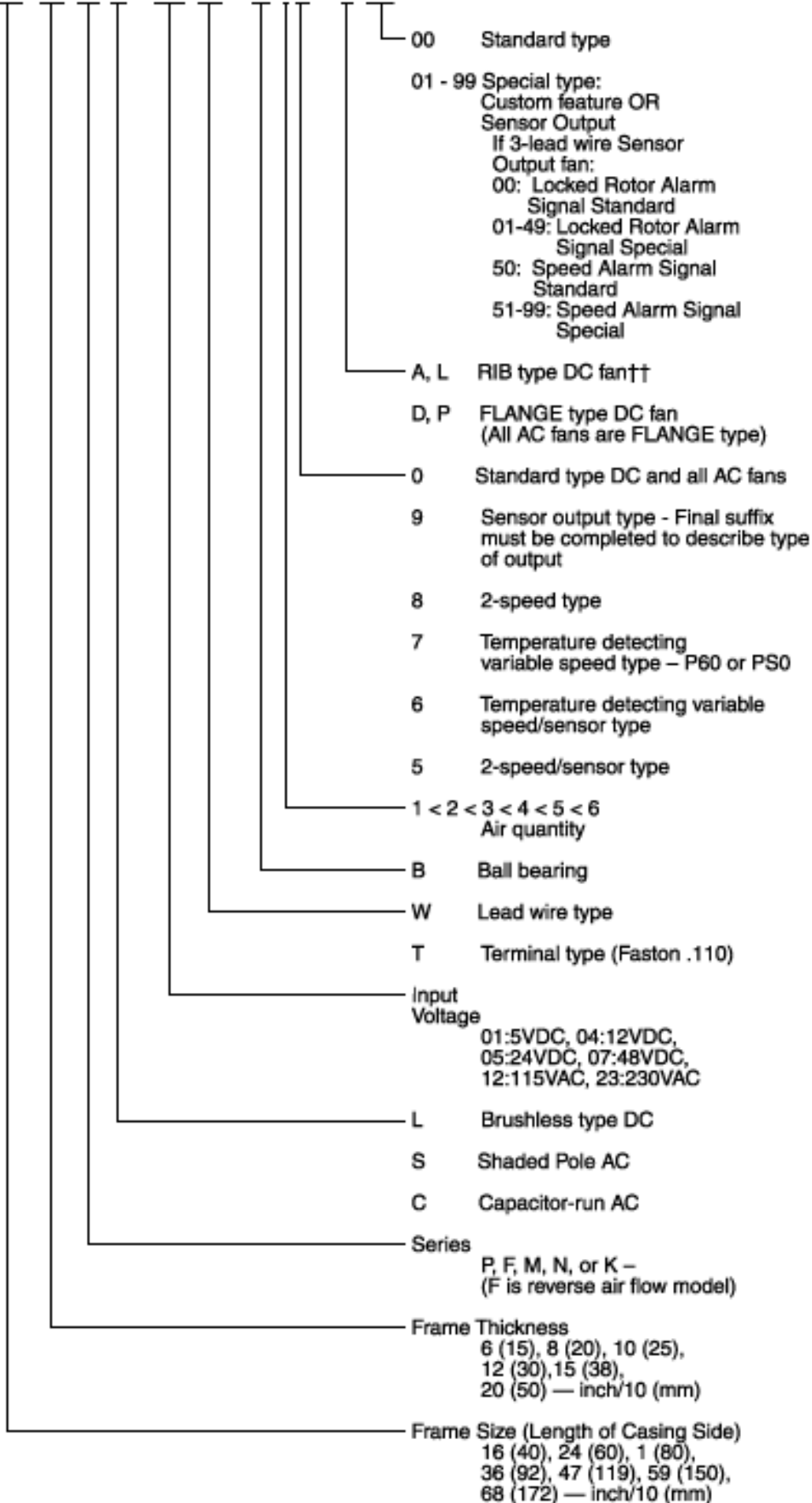
## **PART NUMBERING SYSTEM**

[Product Code](#) / [Flange Type/Rib Type](#) / [Tornado Blower Fan Series Part Numbering System](#)

---

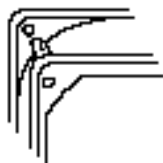
## **PRODUCT CODE**

**24 10 M L - 04 W - B 10 - P 00**

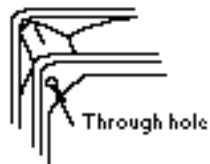


## FLANGE TYPE / RIB TYPE

**FLANGE TYPE**



**RIB TYPE**

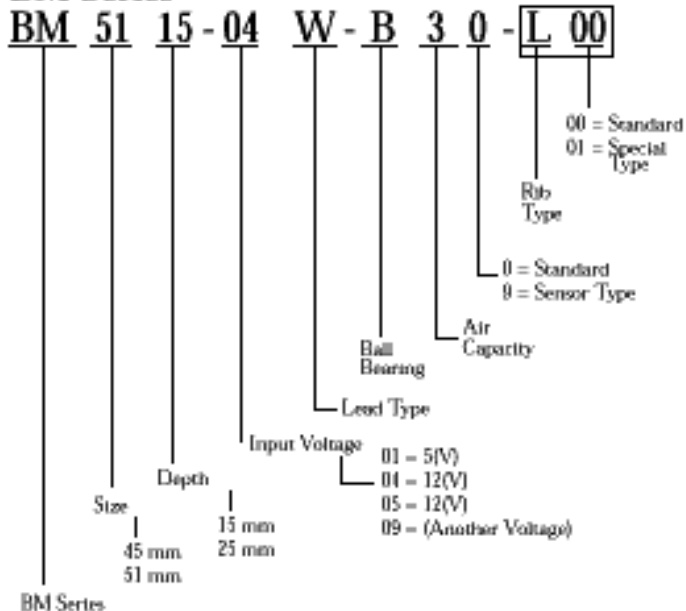


(Note) Set RIB type of FLANGE types according to the mounting method.

RIB type is a non-stock item/may be subject to lead time.

## TORNADO BLOWER FAN SERIES PART NUMBERING SYSTEM

### BM Series



### BG Series

