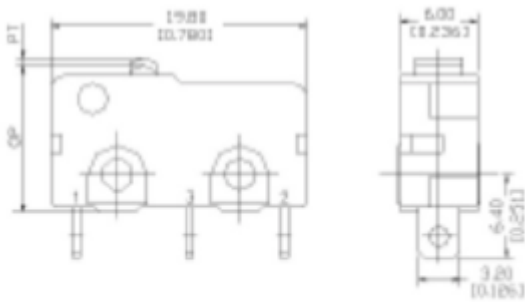
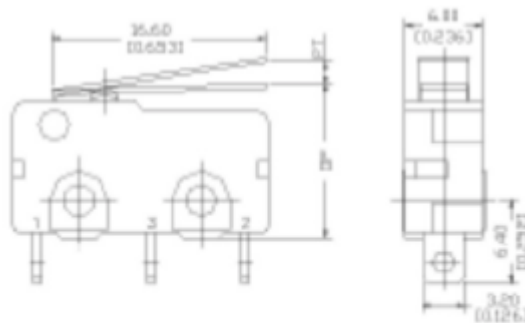


Snap Action Switches



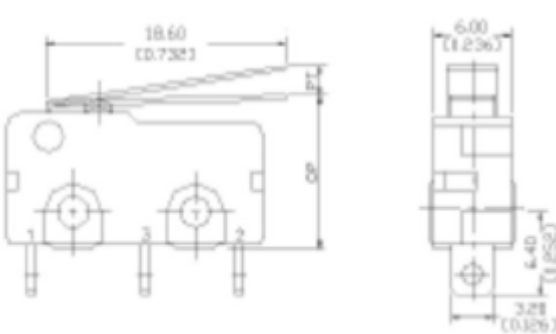
| OPERATING FORCE(gF) | 1 | 2 | 3 | 4 | OP(mm) | PTMAX (mm) |
|---------------------|----|-----|-----|-----|----------|------------|
| | 90 | 150 | 210 | 250 | 11.4±0.4 | 1.1 |

M140T01-A30500A



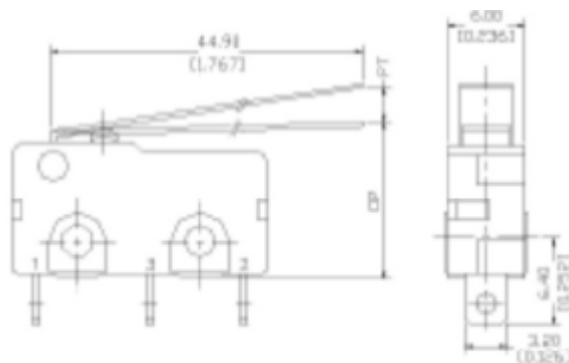
| OPERATING FORCE(gF) | 1 | 2 | 3 | OP(mm) | PTMAX (mm) |
|---------------------|----|----|----|----------|------------|
| | 25 | 45 | 60 | 11.0±0.0 | 3.6 |

M140T01-A30501A



| OPERATING FORCE(gF) | 1 | 2 | 3 | OP(mm) | PTMAX (mm) |
|---------------------|----|----|----|----------|------------|
| | 25 | 45 | 55 | 11.8±1.2 | 4.2 |

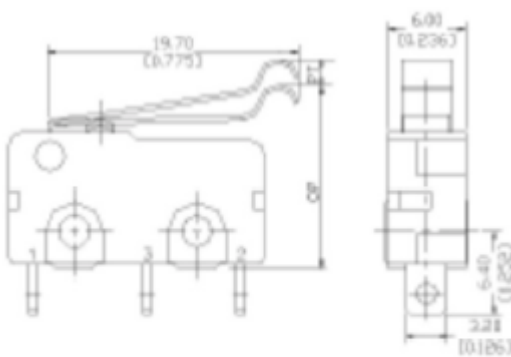
M140T01-A30502A



| OPERATING FORCE(gF) | 1 | 2 | 3 | OP(mm) | PTMAX (mm) |
|---------------------|----|----|----|----------|------------|
| | 20 | 30 | 45 | 11.8±2.0 | 3.5 |

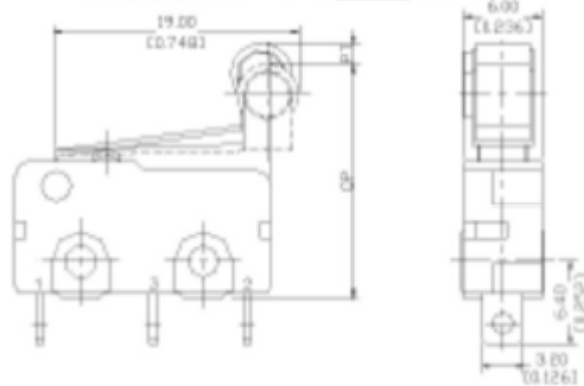
M140T01-A30503A

Snap Action Switches



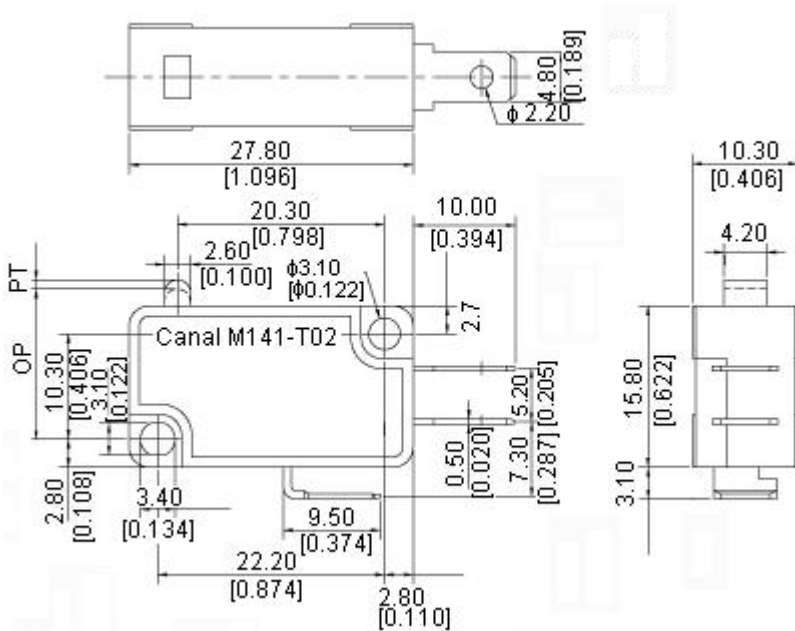
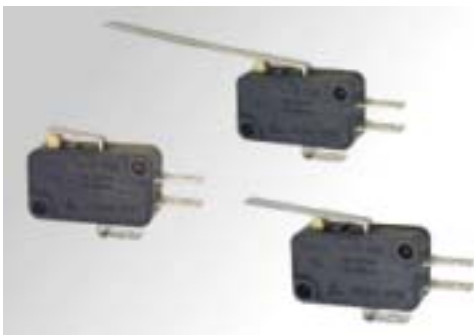
| OPERATING FORCE (gF) | 1 | 2 | 3 | OP (mm) | PTMAX (mm) |
|----------------------|----|----|----|----------|------------|
| | 25 | 45 | 60 | 14.0±1.5 | 4.2 |

M140T01-A30507A



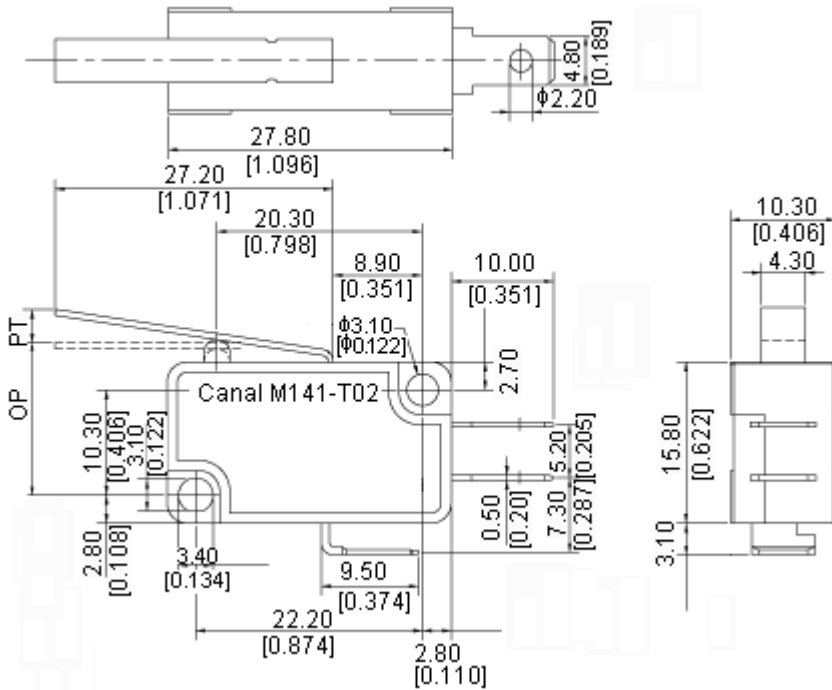
| OPERATING FORCE (gF) | 1 | 2 | 3 | OP (mm) | PTMAX (mm) |
|----------------------|----|----|----|---------|------------|
| | 25 | 45 | 60 | 18±0.8 | 4.0 |

M140T01-A30511A

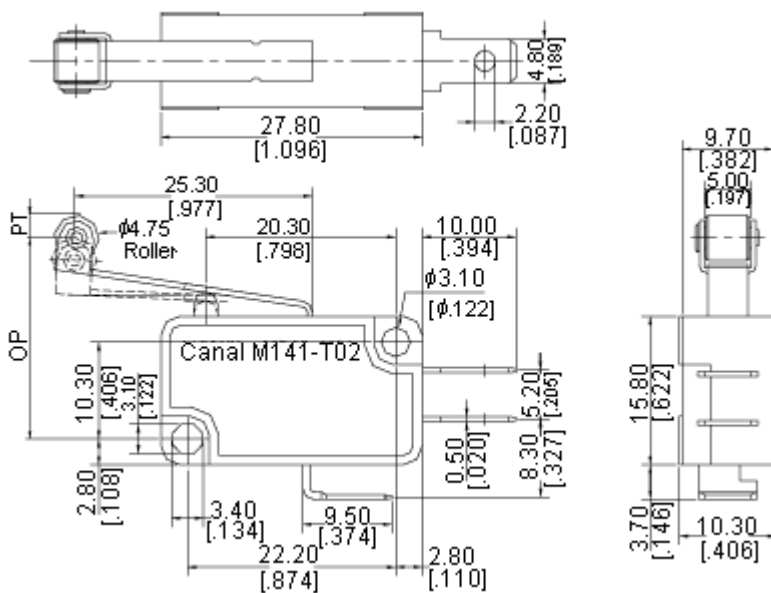


M141T02-A30300D

Snap Action Switches

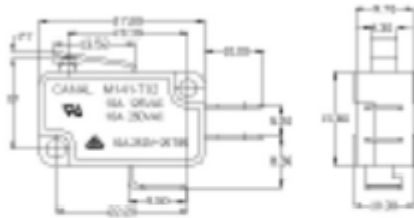


M141T02-A30302D



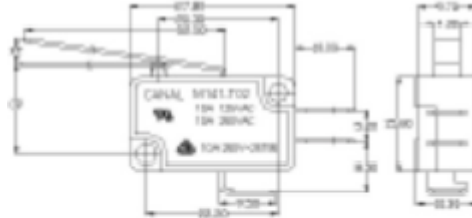
M141T02-A30306D

Snap Action Switches



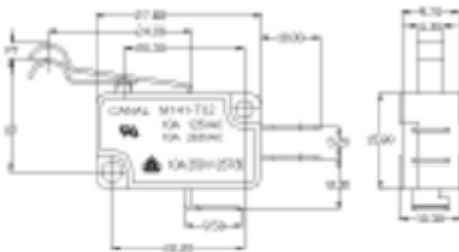
| OPERATING FORCE(gF) | 1 | 2 | 3 | 4 | OP(mm) | P ^{MAX} (mm) |
|---------------------|----|-----|-----|-----|---------|-----------------------|
| | 50 | 100 | 200 | 320 | 5.3±0.3 | 1.6 |

M141T02-A30301D



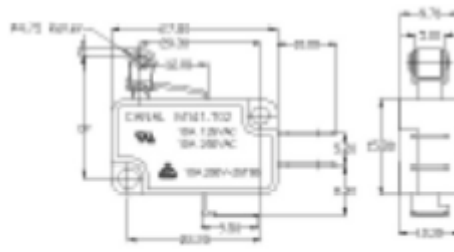
| OPERATING FORCE(gF) | 1 | 2 | 3 | 4 | OP(mm) | P ^{MAX} (mm) |
|---------------------|----|----|----|----|----------|-----------------------|
| | 30 | 40 | 60 | 80 | 15.3±2.5 | 7.6 |

M141T02-A30303D



| OPERATING FORCE(gF) | 1 | 2 | 3 | 4 | OP(mm) | P ^{MAX} (mm) |
|---------------------|----|----|-----|-----|----------|-----------------------|
| | 40 | 60 | 120 | 160 | 18.7±1.8 | 3.5 |

M141T02-A30304D



| OPERATING FORCE(gF) | 1 | 2 | 3 | 4 | OP(mm) | P ^{MAX} (mm) |
|---------------------|----|-----|-----|-----|----------|-----------------------|
| | 50 | 100 | 200 | 320 | 20.5±1.8 | 1.6 |

M141T02-A30305D

Specifications:

| | |
|--------------------------------|---------------------------|
| Maximum contact resistance | : 50mΩ initial. |
| Insulation resistance | : 100MΩ (500V dc). |
| Dielectric strength | : 1,000V ac for 1 minute. |
| Mechanical life cycle | : 100,000. |
| Case | : PBT. |
| Actuator | : Stainless steel. |
| Button | : POM. |
| Electrical operating frequency | : 10 to 30/minute. |

Snap Action Switches



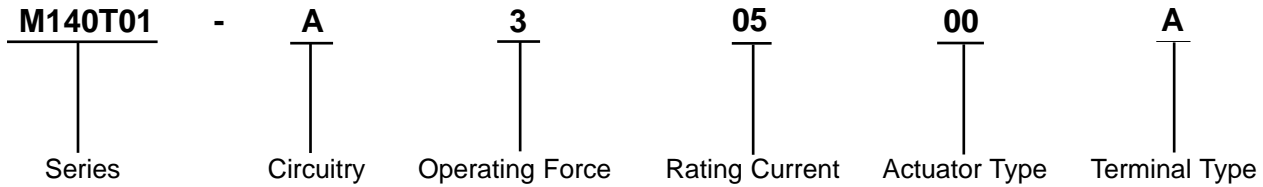
Specification Table

| Description | Contact Rating | Loaded Life Cycle | Temperature Range | Spring | Contact | Mechanical Operating Frequency | Operating Speed | Part Number |
|-------------------------------------|------------------------------|-------------------|-------------------|----------------------|-----------------------------|--------------------------------|----------------------------|-----------------|
| Microswitch, SPDT 5A, Button | 5A 125V ac, 3A 250V ac. | 6,000 | -20 to +80°C | Stainless steel wire | Silver alloy, gold optional | 120/minute | - | M140T01-A30500A |
| Microswitch, SPDT 5A, Short Lever | | | | | | | | M140T01-A30501A |
| Microswitch, SPDT 5A, Lever | | | | | | | | M140T01-A30502A |
| Microswitch, SPDT 5A, Long Lever | | | | | | | | M140T01-A30503A |
| Microswitch, SPDT 5A, Sim Roller | | | | | | | | M140T01-A30507A |
| Microswitch, SPDT 5A, Roller | | | | | | | | M140T01-A30511A |
| Microswitch, SPDT 10A, Button | 10A 125V ac, 10A 250V ac. | 10,000 | -20 to +85°C | Steel wire | Silver alloy | 300 to 400/minute | 0.1mm/second to 1mm/second | M141T02-A30300D |
| Microswitch, SPDT 10A, Short Lever | | | | | | | | M141T02-A30301D |
| Microswitch, SPDT 10A, Lever | | | | | | | | M141T02-A30302D |
| Microswitch, SPDT 10A, Long Lever | | | | | | | | M141T02-A30303D |
| Microswitch, SPDT 10A, Sim Roller | | | | | | | | M141T02-A30304D |
| Microswitch, SPDT 10A, Short Roller | | | | | | | | M141T02-A30305D |
| Microswitch, SPDT 10A, Long Roller | | | | | | | | M141T02-A30306D |

Snap Action Switches



Part Number Explanation:



- Series** : M140T01 and M140T02.
- Circuitry** : A = SPDT.
- Operating Force** : 3 = Refer Dimensions Chart.
- Rating Current** : 03 = 10A 125/250V ac, 05 = 5A 125V ac.
- Actuator Type** : 00, 01, 02, 03, 04, 05, 06, 07 and 11 = Refer Dimensions Chart.
- Terminal Type** : A = Solder Terminal, D = Quick Connect 187 Terminal.

Disclaimer This data sheet and its contents (the "Information") belong to the Premier Farnell Group (the "Group") or are licensed to it. No licence is granted for the use of it other than for information purposes in connection with the products to which it relates. No licence of any intellectual property rights is granted. The Information is subject to change without notice and replaces all data sheets previously supplied. The Information supplied is believed to be accurate but the Group assumes no responsibility for its accuracy or completeness, any error in or omission from it or for any use made of it. Users of this data sheet should check for themselves the Information and the suitability of the products for their purpose and not make any assumptions based on information included or omitted. Liability for loss or damage resulting from any reliance on the Information or use of it (including liability resulting from negligence or where the Group was aware of the possibility of such loss or damage arising) is excluded. This will not operate to limit or restrict the Group's liability for death or personal injury resulting from its negligence. SPC Multicomp is the registered trademark of the Group. © Premier Farnell plc 2009.

<http://www.farnell.com>
<http://www.newark.com>
<http://www.cpc.co.uk>

