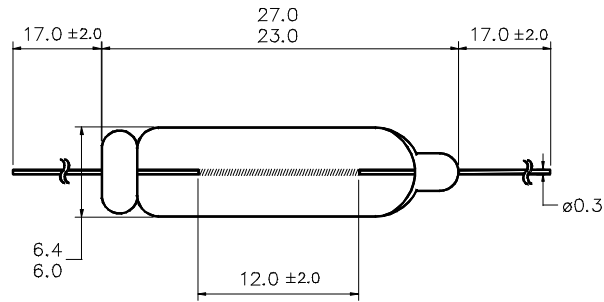


Type	Size	Description	Part No.
Incandescent	T6.2 x 25	Axial Wire Terminal Lamp	(see table)



Drawing not to scale
All dimensions in mm

PHOTOMETRY DATA

Farnell Part No.	SLI P/N	Lamp Rating	Test Volts	Current (mA)			Light Output (Lm)			Fil Shape	Life (Hrs)
				Min	Nom	Max	Min	Nom	Max		
620725	6255AL	5-8V 1.6W	6	220	250	280	3.5	5.0	6.5	C-8	10000
620737	6275AL	10-15V 1.3W	12	99	110	121	5.3	7.0	8.7	C-8	5000

NOTES:

- 1) Lead wires 0.30mm diameter with tinned finish.