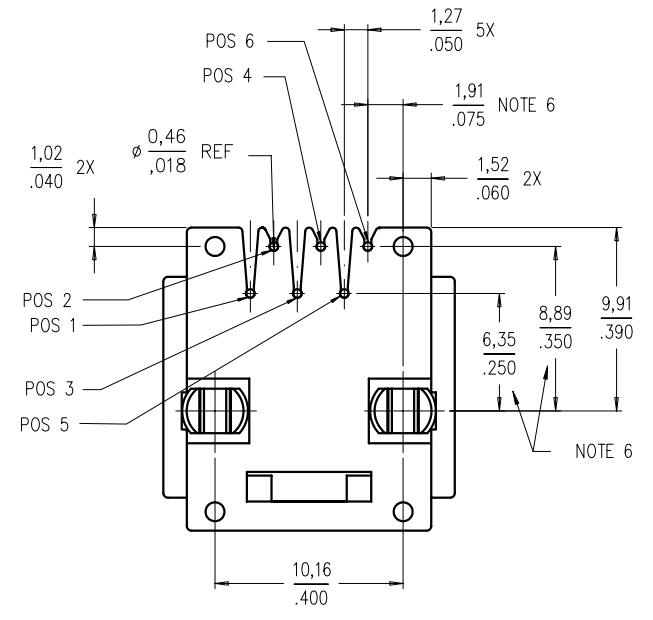
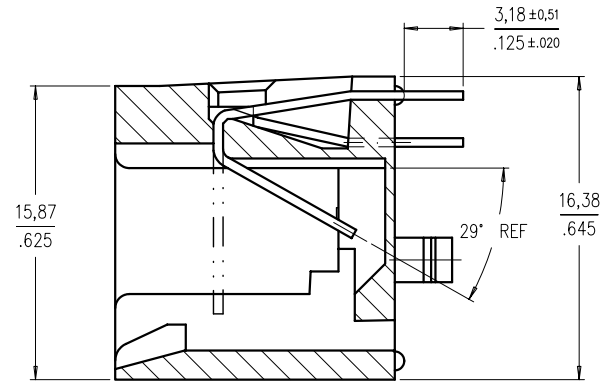
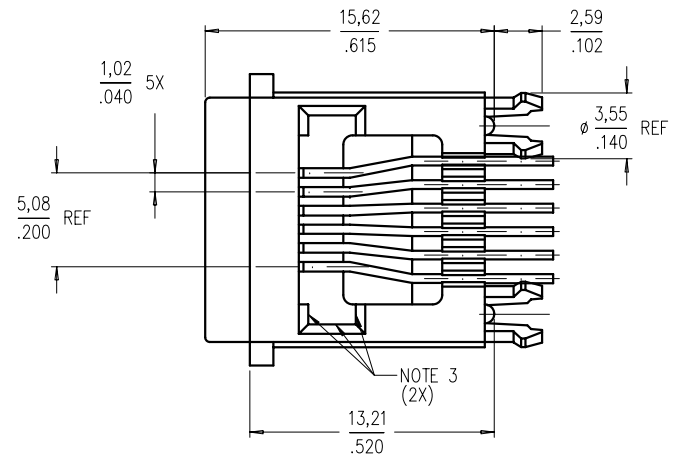
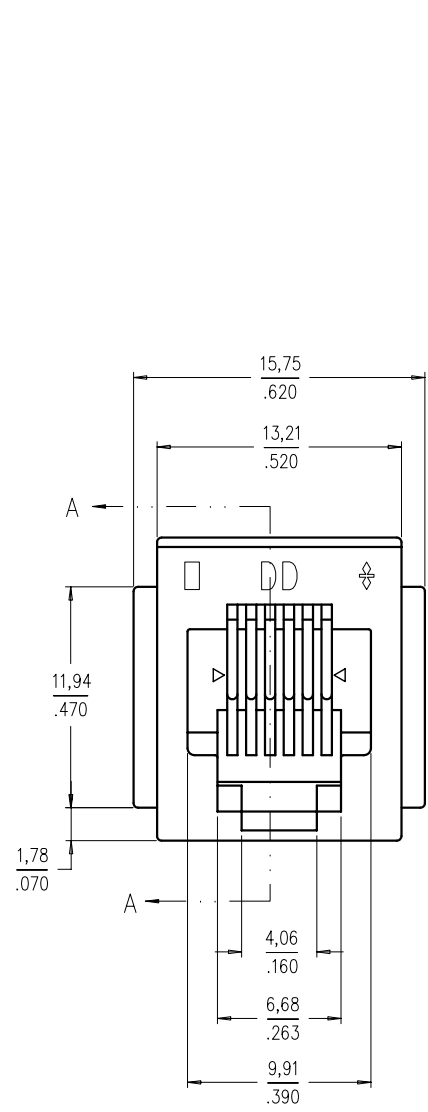


Tous droits strictement réservés. Reproduction ou communication à des tiers interdite sous quelque forme que ce soit sans autorisation écrite du propriétaire. Propriété de ©FCI ELECTRONICS. Droits de reproduction FCI ELECTRONICS INC.

All rights strictly reserved. Reproduction or issue to third parties in any form whatever is not permitted without written authority from the proprietor. Property of ©FCI ELECTRONICS. Copyright FCI ELECTRONICS INC.

PRODUCT NO.
SEE TABLE



SECTION A-A

mat'l. code		tolerances unless otherwise specified		CUSTOMER COPY		FCI	
ltr	ecr no	dr	date	.XX±.0.3 / X.XX±.01		www.fciconnect.com	
J	V61355	bc LOH	10/02/96	linear	.XX±.0.13 / X.XX±.005	projection	title
K	V61824	LW	01/09/97		.XXX±.0.051 / X.XXX±.0020	⊕	6 POS VERT. SNAP PEG
L	S70068	bc LOH	03/20/97	angles	σ±2°		P.C.B. III MOD JACK ASSY
M	S00022	bc LOH	01/26/00	dr	YS.DING 11/23/04	MM	product family MOD JACK
N	N04-0102	ys	11/23/04	enr	YS.DING 11/23/04	INCH	size
				chr	YS.DING 11/23/04	scale	dwg no
				appd	JASON.ZHOU 11/23/04	3:1	A3
sheet index	revision sheet	N	N			code	
		1	2			90512	
						sheet 1 of 2	

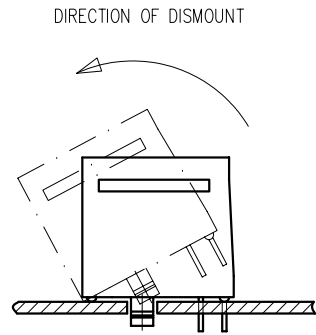
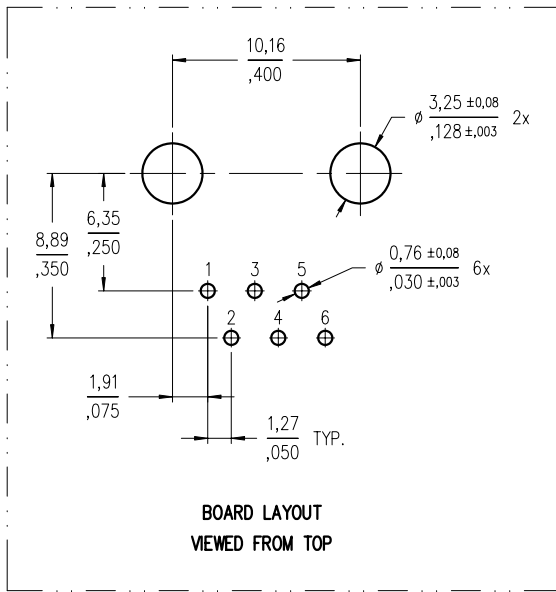
Tous droits strictement réservés. Reproduction ou communication à des tiers interdite sous quelque forme que ce soit sans autorisation écrite du propriétaire. Propriété de ©FCI ELECTRONICS. FCI ELECTRONICS INC.

FCI

All rights strictly reserved. Reproduction or issue to third parties in any form whatever is not permitted without written authority from the proprietor. Property of ©FCI ELECTRONICS. FCI ELECTRONICS INC.

PRODUCT NO.	POSITIONS LOADED	CONTACT PLATING	NOTES
90512-001-001LF	ALL	GXT	BLACK
-002-002LF	ALL	30u" / ,76u Au	BLACK
-003-003LF	2,3,4,5	GXT	BLACK
-004-004LF	2,3,4,5	50u" / 1,27u Au	BLACK
-005-005LF	3,4	GXT	BLACK
-006-006LF	ALL	GXT	GREY
-007-007LF	ALL	30u" / ,76u Au	GREY
-008-008LF	3,4	GXT	GREY

LEAD FREE PRODUCT NO.



JACK DISMOUNT METHOD
DETAIL A
NOTE 5

PRODUCT NO.	POSITIONS LOADED	CONTACT PLATING	REMARKS
90512-101-101LF	ALL	GXT	NOT TOOLED
-102-102LF	ALL	30u" / ,76u Au	NOT TOOLED
-103-103LF	2,3,4,5	GXT	NOT TOOLED
-104-104LF	2,3,4,5	50u" / 1,27u Au	NOT TOOLED
-105-105LF	3,4	GXT	NOT TOOLED

NOTES :

- P/NO WITH DASH 0XX -NORMAL WAVE SOLDERING APPLICATION. P/NO WITH DASH 1XX -1R REFLOW APPLICATION (NOT TOOLED).
- PACKAGING SPEC. BUS-14-164.
- SCRATCH MARKS ACCEPTABLE ON THESE SURFACES.
- JACK IS FOR 1,57/,062 THICK PCB.
- SHOULD THE JACK NEED TO BE DISMOUNTED FROM THE PCB, PLS REMOVE JACK AS PER RECOMMENDED METHOD HEREIN. (DETAIL A) NIPPING THE LEGS OF THE PEG TOGETHER IS DISALLOWED, OTHERWISE LEG BREAKAGE MAY OCCUR.
- THESE DIMENSIONS ARE TAKEN FROM THE TOP OF THE PEG.
- GXT IS 0,76um / 30u" MIN GXT WITH Au FLASH OVER 1,27 um / 50u" MIN Ni.
- THIS PRODUCT MEETS EUROPEAN UNION DIRECTIVES AND OTHER COUNTRY REGULATIONS AS DESCRIBED IN GS-22-009
- THE HOUSING WILL WITHSTAND EXPOSURE TO 260°C PEAK TEMPERATURE FOR 10 SECONDS IN A WAVE SOLDER APPLICATION WITH A 1.57mm MINIMUM THICK CIRCUIT BOARD
- IF LF P/N PACKAGING MEETS GS-14-920 SPECIFICATION

mat'l. code				tolerances unless otherwise specified				CUSTOMER COPY		FCI www.fciconnect.com	
ltr	ecr no	dr	date	.X.X±0.3 / X.XX±.01				projection		title	
N				.XX±0.13 / X.XXX±.005				⊕		6 POS VERT. SNAP PEG	
				.XXX±0.051 / X.XXXX±.0020				⊖		P.C.B. III MOD JACK ASSY	
				σ±2σ'				MM		product family MOD JACK	
				dr YS.DING 11/23/04				INCH		code	
				enr YS.DING 11/23/04				scale		size dwg no	
				chr YS.DING 11/23/04				3:1		A3	
				appd JASON.ZHOU 11/23/04						90512	
sheet index	revision sheet									sheet 2 of	