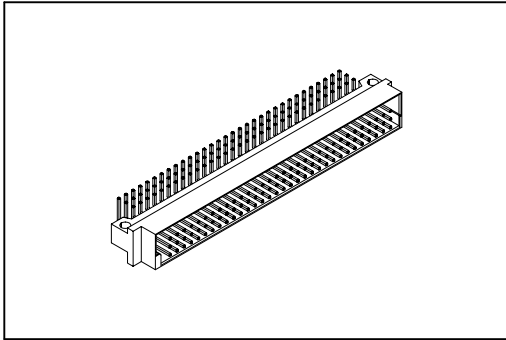


9001 Series

DIN41612 C Type Male



Material:

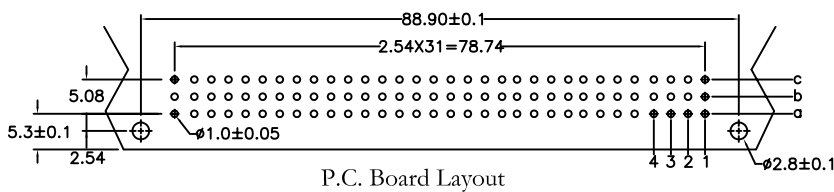
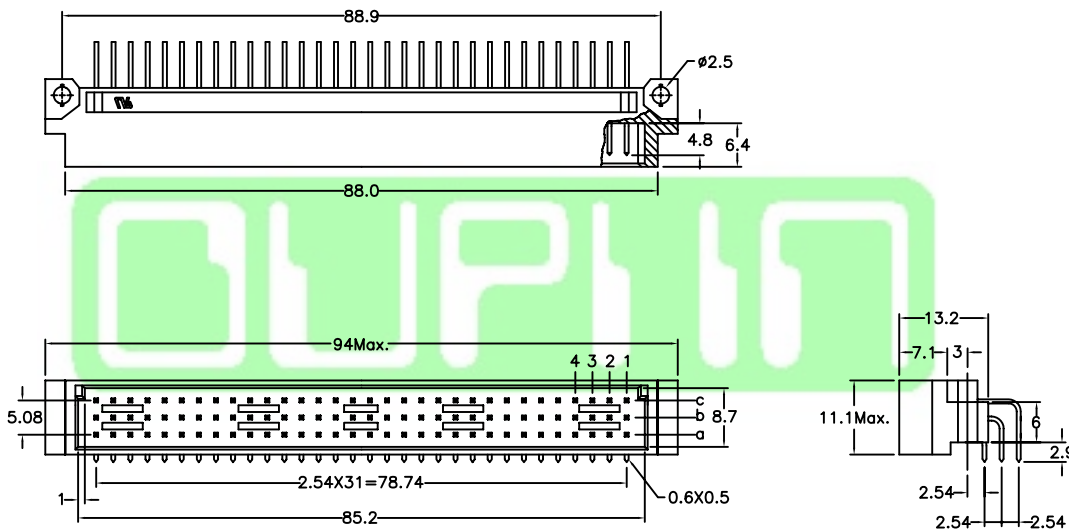
Housing: 30% Glass Filled PBT UL94V-0.
Contacts: Brass.

Electrical Characteristics:

Current Rating: 2 A.
Dielectric Withstanding Voltage: AC 1000V .
Insulator Resistance: 1000MΩ min.
Contact Resistance: 30mΩ max.
Operating Temperature: -55°C~+105°C .

Features:

- * UL, cUL listing.
- * Mates with Female 3Row
9001-1296, 1264 C Type.
9001-1496, 1464 R Type.
9001-1264 IDC Type.



Pitch	Position	Rows with Contacts	Contact Arrange
2.54mm	96	a b c	
	64	a b -	
	64	a - c	
	32	a - -	
5.08mm	48	a b c	
	32	a b -	
	32	a - c	
	16	a - -	

Ordering information

9001-	1	1	96	1	C	00	L1	A
Series	1: 2.54mm 2: 5.08mm	1: Male	Position	1: Dip Length	C: Dip Tin Contact Gold G: Gold	00: G/F 10: 10 μ " 15: 15 μ " 30: 30 μ "	Blank: W/O Lock L1: With Lock See Page CA04	A: Tray Package

*Standard Gold Flash.
*32, 64 Pin Standard a - c Row.