

## FEATURES AND SPECIFICATIONS

### Features and Benefits

- Locking tang for secure housing retention

### Reference Information

Packaging: Reel or bag

Use With: 51021

Mates With: 51025 and 50133

Designed In: Millimeters

### Electrical

Voltage: 125V

Current: 1.0A

32 AWG—0.8A

Contact Resistance: 20mΩ max.

Dielectric Withstanding Voltage: 250V AC/1 min.

Insulation Resistance: 100 MΩ min.

### Physical

Contact: Phosphor Bronze

Plating: Tin

Wire Range:

26 to 28 AWG—50079

28 to 32 AWG—50058

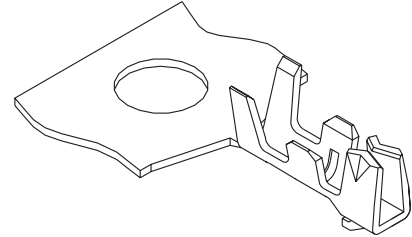
Insulation Range: 1.00mm dia. max.

Strip Length: 1.40 to 1.90mm

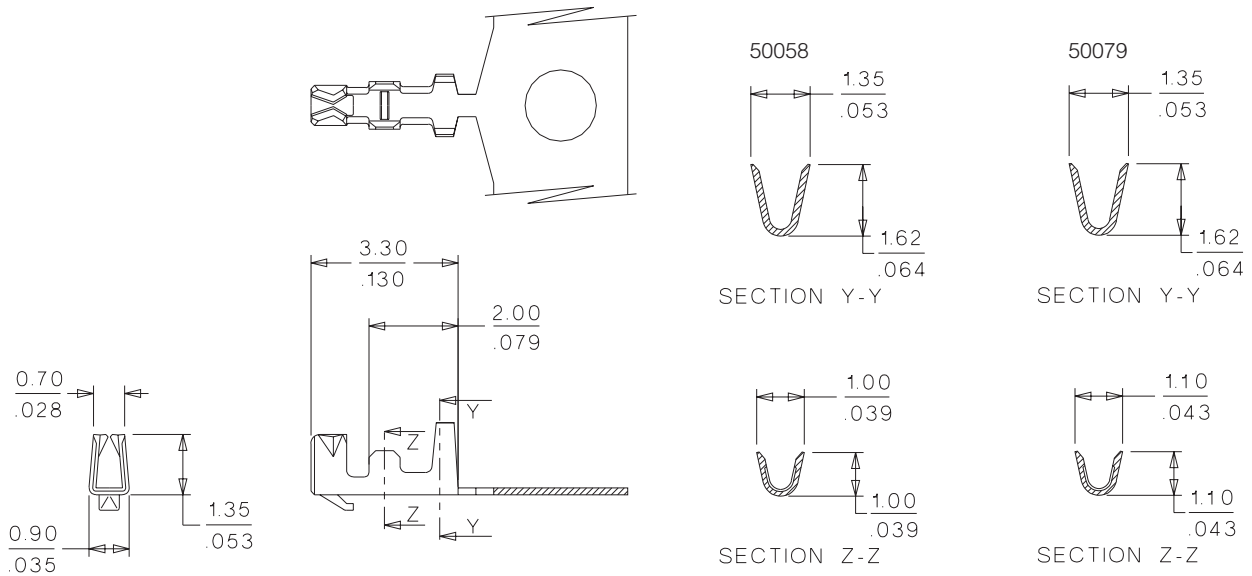
# molex® 1.25mm (.049") Pitch Wire-to-Board and Wire-to-Wire Crimp Terminal

## 50079/50058

## Female



Micro Connectors



## ORDERING INFORMATION

Order No.	Wire Range AWG	Terminal
50079-8000	26 - 28	Reel
50058-8000	28 - 32	
50079-8100	26 - 28	Bag
50058-8100	28 - 32	