

| | | | | |
|----------------------------|------|-----------|------------|--------------|
| DRAWING NUMBER J-C6-100 | REV. | DATE | BY-CHKD | REVISIONS |
| | H | 25OCT96 | JGK | PRN: S-1-06B |
| | I | 01 DEC 97 | TCP SWD | PRN:C6-37 |
| | | | | |
| | | | | |
| | | | | |



SOUTHCO C6 DOOR POSITIONING HINGE

- ONE DETENT POSITIONS THE DOOR OPEN AT A GIVEN ANGLE.
- ANOTHER DETENT BIASES THE DOOR CLOSED AGAINST A FRAME.

| | | | |
|---------|-------|------|-------|
| DATE | DRAWN | CHKD | SCALE |
| 27JAN92 | JAD | --- | FULL |

| |
|----------------|
| DRAWING NUMBER |
| J-C6-100 |

ASSEMBLY DESCRIPTION

| ASSEMBLY PART No. | POSITIONING TORQUE | DETTENTED OPEN ANGLE |
|-------------------|--------------------|----------------------|
| C6-1 | LOW | |
| C6-2 | MED. | |
| C6-3 | HIGH | |
| C6-4 | LOW | |
| C6-5 | MED. | |
| C6-6 | HIGH | |
| C6-7 | LOW | |
| C6-8 | MED. | |
| C6-9 | HIGH | |
| C6-0 | --- | NO DETENTS |

INSTALLATION INSTRUCTIONS

- PREPARE INSTALLATION HOLES AS SHOWN.
- MOUNT HINGE SUB-ASSEMBLY WITH APPROPRIATE FASTENING HARDWARE (NOT SUPPLIED).
- PRESS COVERS IN PLACE IF DESIRED TO HIDE MOUNTING HARDWARE.

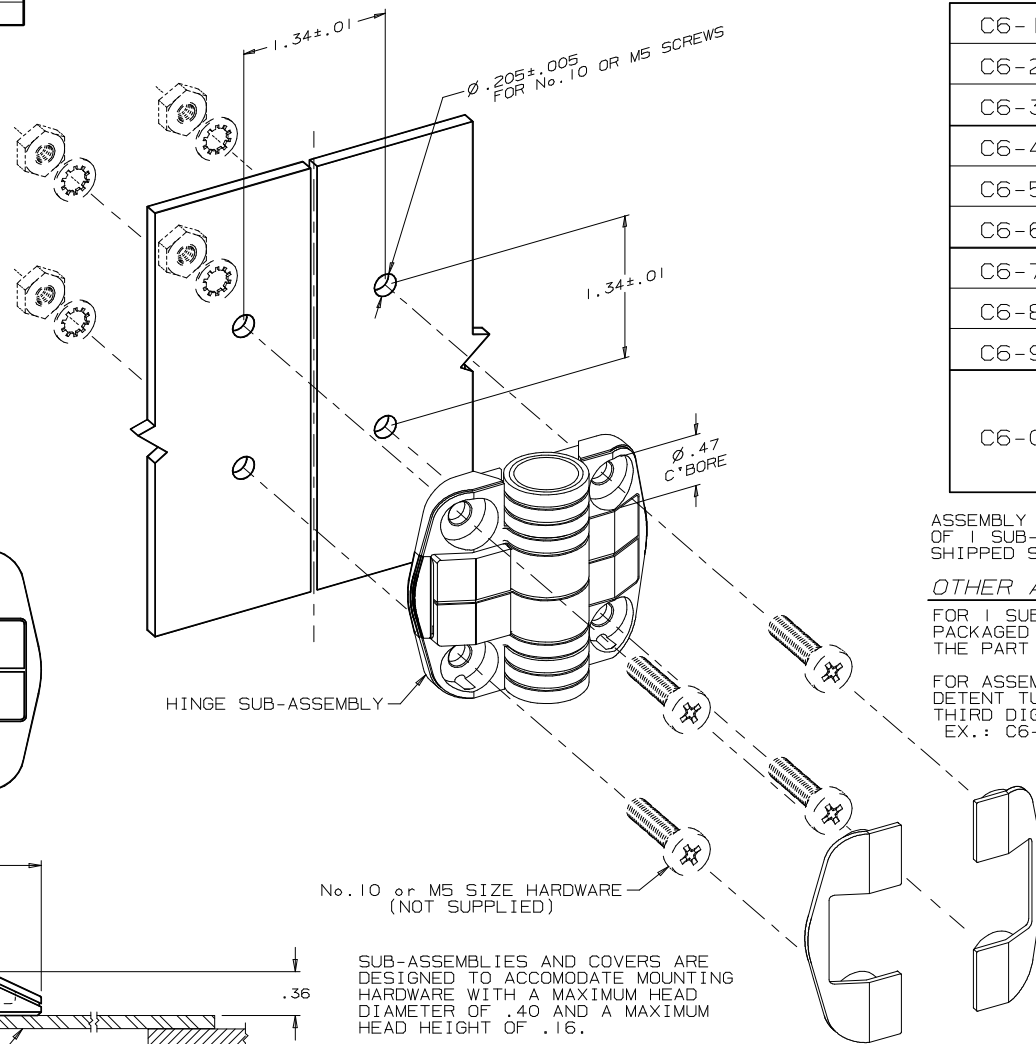
MATERIAL and FINISH

EXTERNAL COMPONENTS

HINGE LEAVES, RETAINING TAB, END PLUGS, AND COVERS: ACETAL, BLACK

INTERNAL COMPONENTS

BALLS: CHROME STEEL, ZINC PLATE, CHROMATE PLUS SEALER.
 SPRINGS: 302 STAINLESS STEEL, NATURAL
 DETENT TUBE: 1065 STEEL HARDENED, ZINC PLATE, CHROMATE PLUS SEALER
 OR 304 STAINLESS STEEL, PASSIVATED



ASSEMBLY PART NUMBERS SHOWN CONSIST OF 1 SUB-ASSEMBLY AND 2 COVERS, SHIPPED SEPARATELY, BULK.

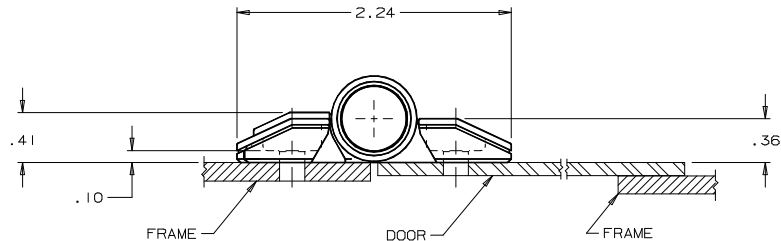
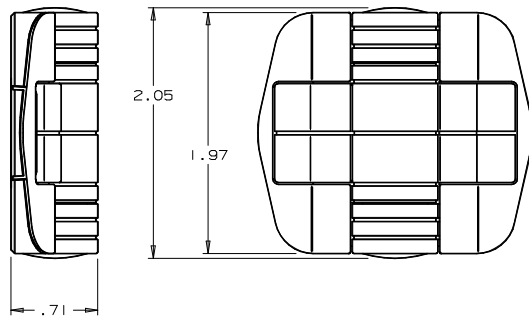
OTHER ASSEMBLY PART No. 's

FOR 1 SUB-ASSEMBLY AND 2 COVERS PACKAGED IN A POLY BAG, ADD -P TO THE PART NUMBER. EX.: C6-3-P

FOR ASSEMBLIES WITH STAINLESS STEEL DETENT TUBES, INSERT A 2 BEFORE THE THIRD DIGIT OF THE PART NUMBER. EX.: C6-23 INSTEAD OF C6-3

No.10 or M5 SIZE HARDWARE (NOT SUPPLIED)

SUB-ASSEMBLIES AND COVERS ARE DESIGNED TO ACCOMODATE MOUNTING HARDWARE WITH A MAXIMUM HEAD DIAMETER OF .40 AND A MAXIMUM HEAD HEIGHT OF .16.



ALL DIMENSIONS ARE INCHES.

FORMATB 2/88

PROPRIETARY ITEM - EXCEPT FOR USES EXPRESSLY GRANTED IN WRITING, ALL RIGHTS IN THIS PATENT AND OTHERS ARE RESERVED BY SOUTHCO, INC.