

5

4

3

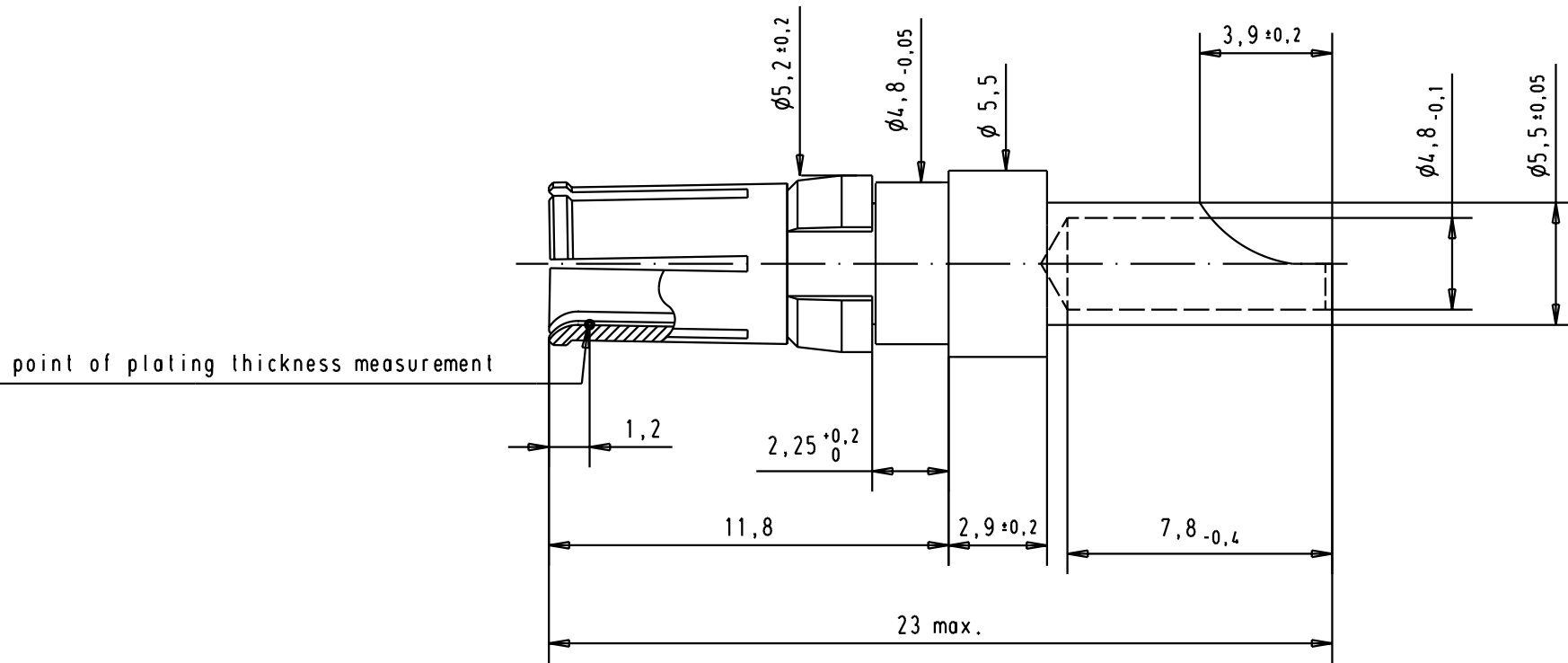
2


1

D

C

B



09691817423	Mating area	0,2 μm Au											
	Termination area	5 μm Sn											
09691815423	Mating area	0,8 μm Au											
	Termination area	0,2 μm Au	31057	21-JUN-02	CV								
Part number	Plating		Mod.	Dat.	Name	HARTING EURL F-95972 Paris				Sub.		Maßstab/ Scale 5:1	
										Female High power contact, 40A, straight cable termination, solder		Blatt/ Page 1 / 1	
										All Dim. in mm Orig. Size DIN A 4			
										Detail. 21-JUN-02 CV			
										Insp.			
										Stand.			
										TB 09 69 181 x423			