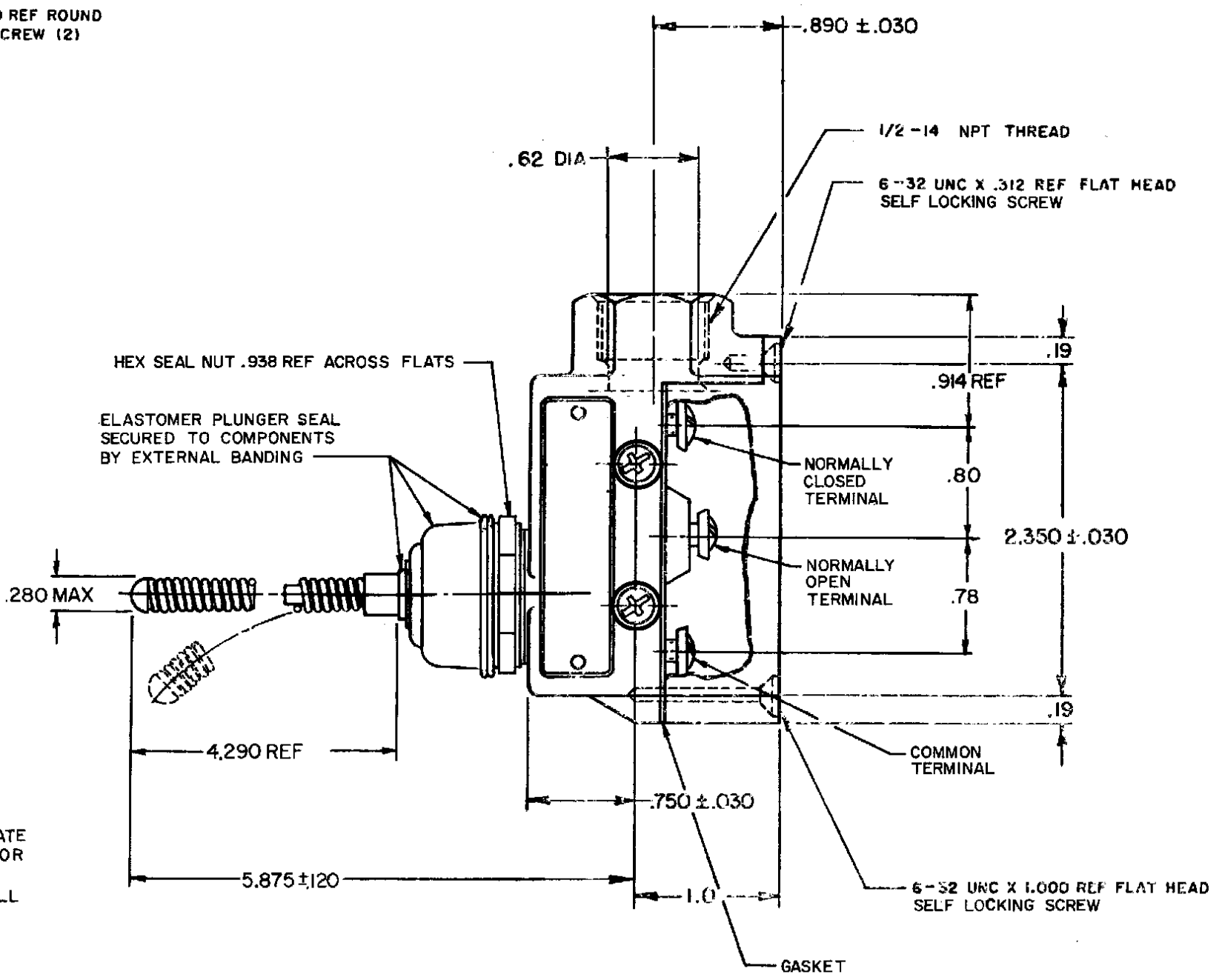
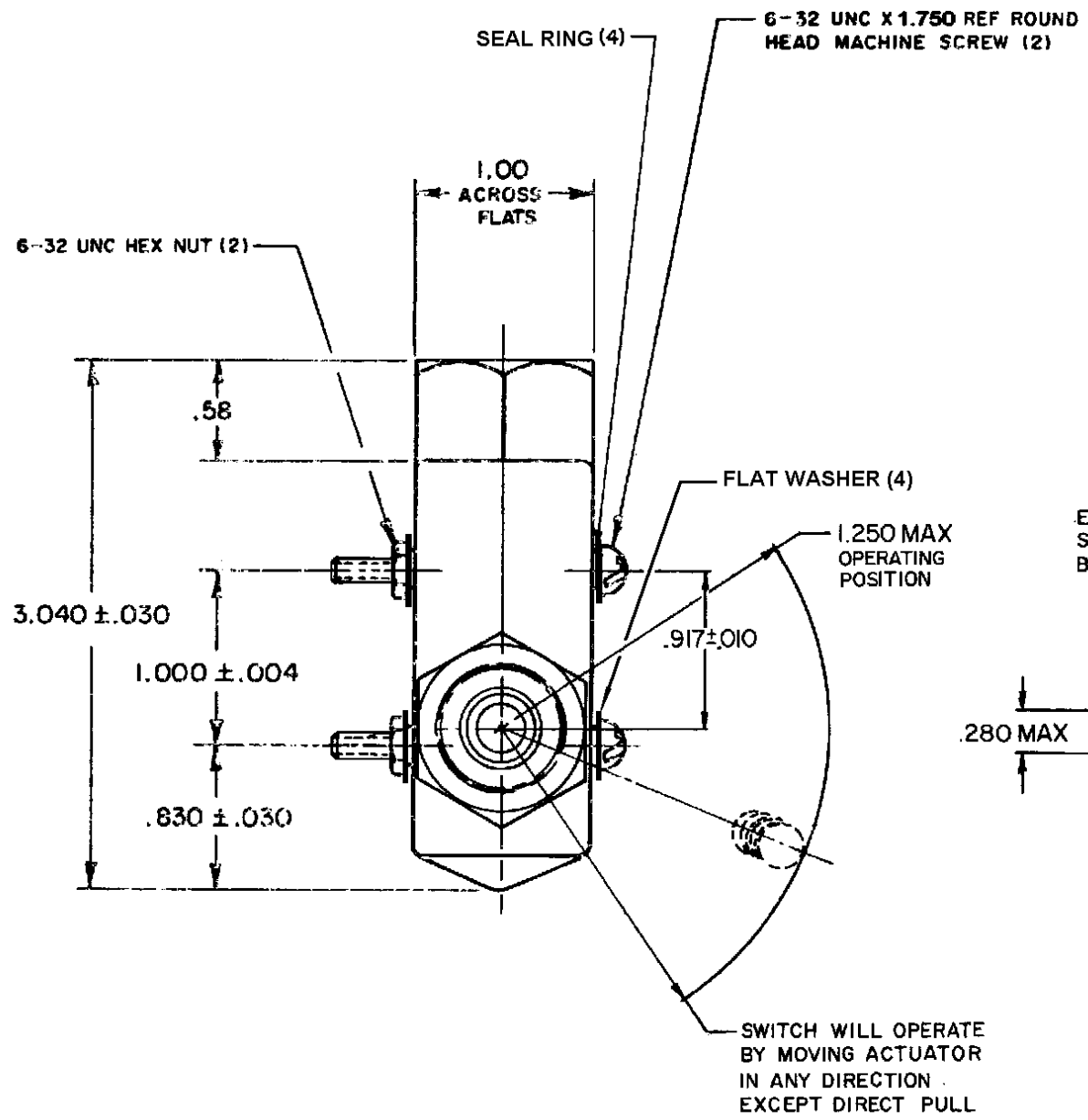


**MICRO SWITCH**  
A DIVISION OF MINNEAPOLIS-HONEYWELL REGULATOR COMPANY  
PREEPORT, MINN. 55955

**SWITCH - ENCLOSED**

CATALOG LISTING  
**BZE6-2RN18**

**BZE6-2RN18**  
 DRAWING NUMBER  
 ISSUE 14  
 29AUG07  
 PSR  
 CHECK 23AUG06  
 DVM  
 CHECK 12 JAN 82  
 CHECK 16 FEB 84  
 17 AUG 71  
 13 AUG 71  
 22 NOV 05  
 RASTER  
 DRAWN  
 GEM



THIS DRAWING COVERS A PROPRIETARY ITEM AND IS THE PROPERTY OF MICRO SWITCH, A DIVISION OF MINNEAPOLIS-HONEYWELL REGULATOR CO. THIS DRAWING IS NOT TO BE COPIED OR USED WITHOUT THE APPROVAL OF MICRO SWITCH.

CHARACTERISTICS	ELECTRICAL DATA	SCALE FULL
OPERATING FORCE ----- 7 OZ MAX	CONTACT ARRANGEMENT S P D T	DO NOT SCALE PRINT
OPERATING POSITION ----- 15° MAX	15A 125, 250 OR 480 VAC, 2A 600 VAC 1/8HP 125 VAC, 1/4HP 250 VAC 1/2A 125 VDC, 1/4A 250 VDC CE 1.5A, 240 Vac	UNLESS OTHERWISE SPECIFIED DIMENSIONS ARE IN INCHES
SWITCH BASIC REPLACEMENT ----- BZ-2R-A2		<b>TOLERANCES ARE:</b> ONE PLACE (.0) ± .030 TWO PLACE (.00) ± .015 THREE PLACE (.000) ± .005 ANGLES ±
		WEIGHT

- NOTE -
- 1 - 6-32 UNC X .219 REF TERMINAL SCREW AND CUPWASHER (3)
  - 2 - SEAL RATING: NEMA 1,3,4  
IP66