



Air moving solutions made simple



AC Fans
DC Fans



AC Blowers
DC Blowers



AC Impellers
DC Impellers



AC
Motors



Accessories

Search

Part/Model #

Stock Check

Cross-Reference

Keyword

More Products

Heat Sinks

Fan Accessories

Engineering Tools

Airflow Calculator

Thermal Calculator

Unit Conversions

Application Notes

Custom Solutions

Company Info

Sales Force

Phone: 858.348.6200 FAX: 858.566.4577

Distributors

Find a Rep

Contact Us

Whiffet - WT12B3 - 031101
(Family) (Model) (Part Number)

Electrical Specifications

Operating Voltage:	12 Volts
Voltage Range:	6 - 14 Volts
Power Supply:	5.0 Watts
Line Current:	0.42 Amps
Locked Rotor Current	1.12 Amps
Nominal Speed:	4000 RPM

Mechanical Specifications

Dimensions:	3.1 x 3.1 x 1.3 in
Weight	6.7 oz
Max Airflow @ 0 in H ₂ O	15.0 CFM
Max Pressure @ 0 CFM	0.620 in H ₂ O
Noise	52.2 dBA

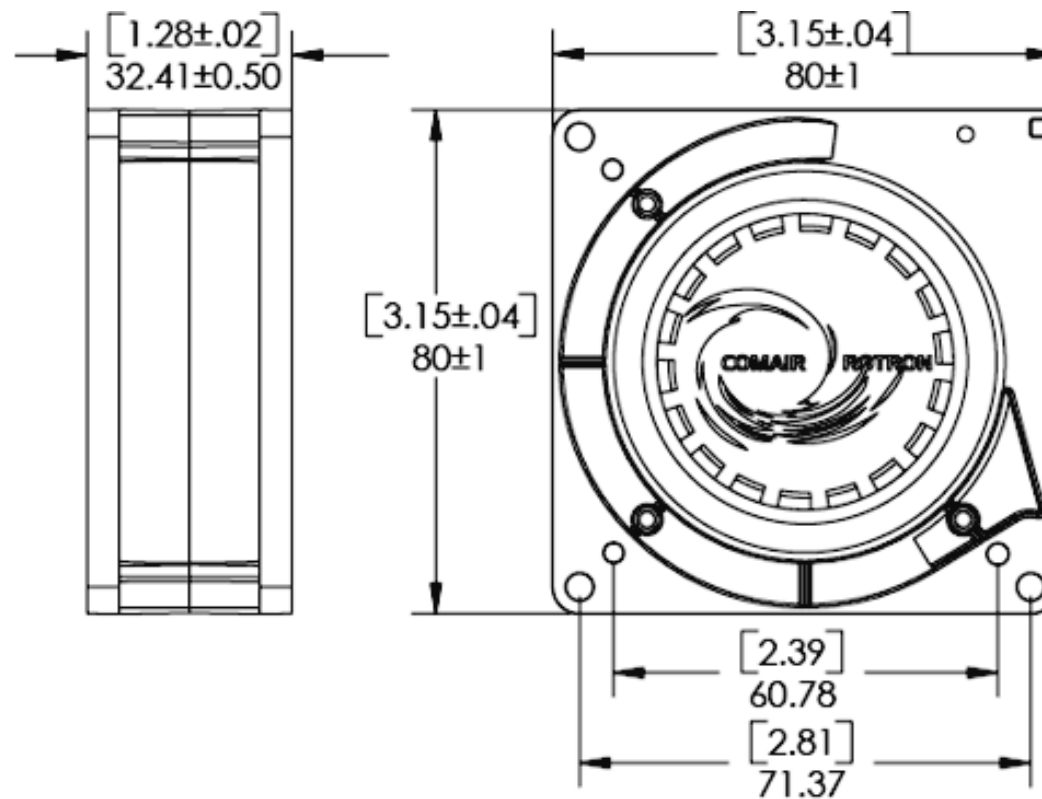


Detailed
Drawing



Printer-Friendly
Datasheet

Mechanical Drawing



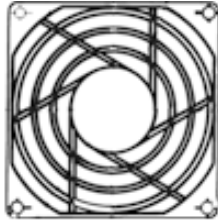
Options

Part Number	Model Number	Bearing Type	Fan Rotation	Termination	In-Stock (Click 'Yes' for current stock)
031101	WT12B3	Ball	Exhaust Through Nozzle	12in Leadwires	Yes
039691	WT12B3-E2	Ball	Exhaust Through Nozzle	12in Leadwires	No
039706	WT12B3-E2	Ball	Exhaust Through Nozzle	12in Leadwires	No
032835	WT12B3QDN	Ball	Exhaust Through Nozzle	12in Leadwires	No
031691	WT12B7X	Ball	Exhaust Through Nozzle	12in Leadwires	No
039644	WT12B7X	Ball	Exhaust Through Nozzle	12in Leadwires	Yes

<<< Select the fan with desired options, then press the **Update Datasheet** button.

Accessories [\(Click on part number for detailed drawing.\)](#)

550648
Finger Guard



476143
Finger Guard



Comair Rotron, Inc.

Phone: 858.348.6200

FAX: 858.566.4577

sales@comairrotron.com

ThermaFlo, Inc.

Phone: 972.312.8609

FAX: 972.312.8617

info@thermaflo.com

Comair Rotron Europe, Ltd.

Phone: +44.1527.520525

FAX: +44.1527.520565

saleseurope@comairrotron.com

Comair Rotron Fan Company Ltd.

Phone: +86.21.52260581

FAX: +86.21.52260597

salesasia@comairrotron.com