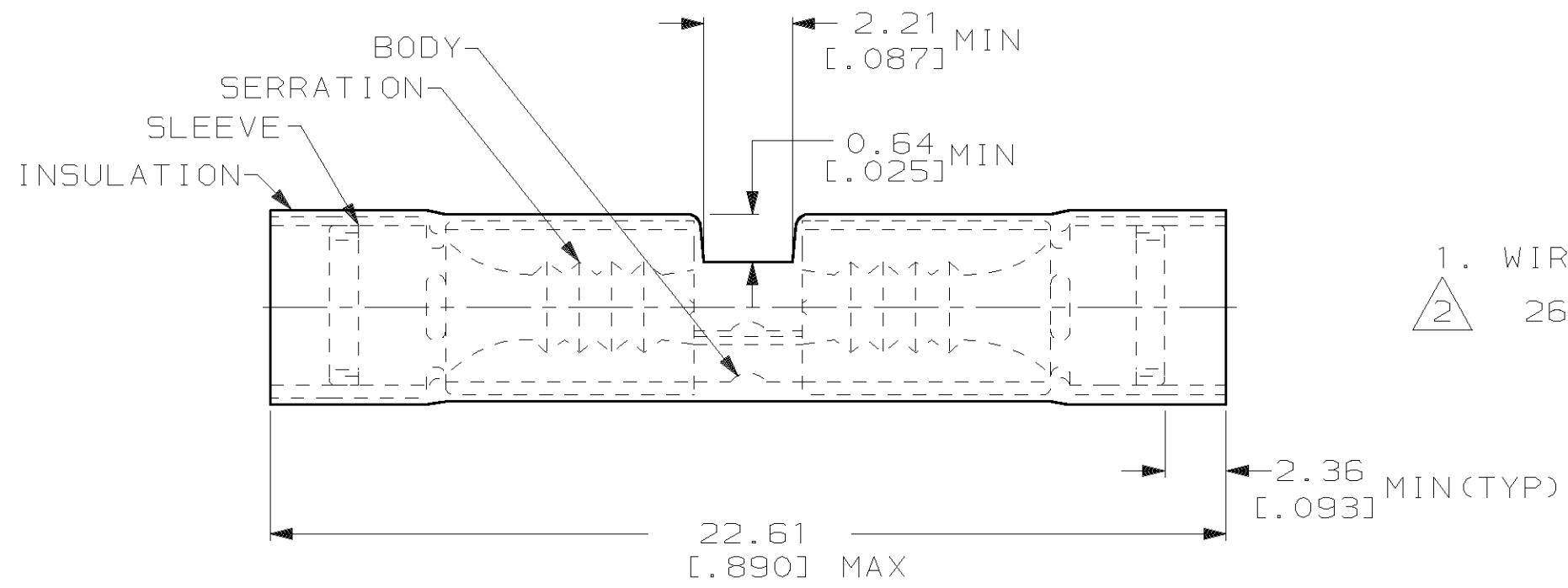


THIS DRAWING IS UNPUBLISHED. RELEASED FOR PUBLICATION, 19 .
 © COPYRIGHT 19 BY AMP INCORPORATED. ALL INTERNATIONAL RIGHTS RESERVED.

LOC	DIST	P	F	ZONE	LTR	DESCRIPTION	DATE	APPD
G	14				T	REV PER 0G3A-0498-01	160CT01	JR/TM

AMP
WIRE RANGE

26-22 AWG
STRANDED



- 1. WIRE INSULATION DIA 1.27 [.050] TO 2.08 [.082]
- 2. 26-22 COMMERCIAL

-	4000	ON TAPE, REEL	△ 2-323994-1
-	50	LOOSE PIECE, BOX	△ 8-323994-2
-	50	LOOSE PIECE	△ 2-323994-2
26-24 M7928/5-1 CLASS 1 & 2	50		323994

AMP INCORPORATED CUSTOMER SERVICE SYSTEMS	
FOR ADDITIONAL PRODUCT INFORMATION OR COPIES OF DRAWINGS AND TECHNICAL DOCUMENTS	PRODUCT INFORMATION CENTER 1-800-522-6752
FOR APPLICATION TOOLING INFORMATION	TOOLING ASSISTANCE CENTER 1-800-722-1111
FOR ORDER ENTRY	1-800-526-5142

MAX RECOMMENDED OPERATING TEMPERATURE:
105°C

VOLTAGE RATING:
-

CIRCULAR MIL AREA:
0.10-0.41mm² [202-810]
STRANDED

MILITARY P/N & CLASS PER MIL-T-7928

DO NOT SCALE PRINT. UNLESS SPECIFIED DIMENSIONS IN mm [INCHES] TOLERANCES ON:
2 PLC DEC ± 0.20 [.008]
3 PLC DEC ± -
ANGLES ± -

MATERIAL
COPPER PER ASTM B-152
NYLON, COLOR: YELLOW

FINISH
TIN PLATE
PER MIL-T-10727

AMP AMP Incorporated
Harrisburg, PA 17105-3608

NAME *TRADEMARK
SPLICE, BUTT, PIDG*
WIRE SIZE: 26-22 AWG

SIZE	CAGE CODE	DRAWING NO
B	00779	C-323994
SCALE	NTS	SHEET 1 OF 1