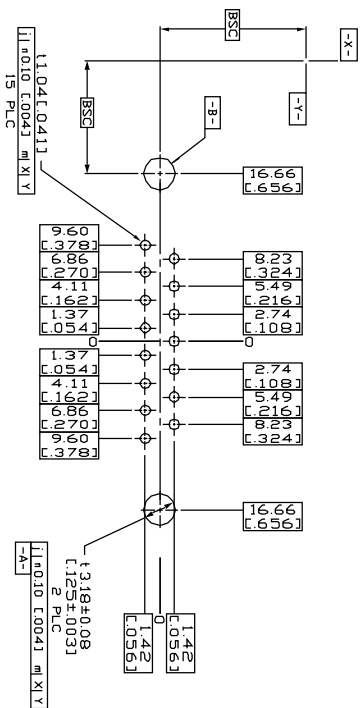


1. MATERIAL  
HOUSING: PBT, GLASS FILLED, UL RATED 94V-0, BLACK.  
FRONT SHELL: CARBON STEEL  
BOARDLOCKS AND INSERTS: BRASS  
CONTACTS: PHOSPHOR BRONZE
2. FINISH  
FRONT SHELL: TIN PLATED  
CONTACTS: GOLD FLASH OVER 2541 μ (0.00100) MIN NICKEL  
ON ENTIRE CONTACT AREA  
BOARDLOCKS AND INSERTS: NICKEL PLATED.
3. ELECTRICAL SPECIFICATIONS  
20 OHMS AT 30 MHZ  
30 OHMS AT 50 MHZ  
50 OHMS AT 100 MHZ
- 4V SCL, 56-414-001 AND DATE CODE MARKED ON THIS SURFACE.



P.C. BOARD MOUNTING DIMENSIONS

REV	DATE	BY	CHK	DESCRIPTION
4	REVISED PER 99146			
3				
2				
1				

DATE	BY	CHK	DESCRIPTION
11 NOV 91	DL		RECEIVE ASSEMBLY 15 POSITION, RIGHT ANGLE FERRITE
11 NOV 91	DL		RECEIVE ASSEMBLY 15 POSITION, RIGHT ANGLE FERRITE
11 NOV 91	DL		RECEIVE ASSEMBLY 15 POSITION, RIGHT ANGLE FERRITE
11 NOV 91	DL		RECEIVE ASSEMBLY 15 POSITION, RIGHT ANGLE FERRITE

DATE	BY	CHK	DESCRIPTION
11 NOV 91	DL		RECEIVE ASSEMBLY 15 POSITION, RIGHT ANGLE FERRITE
11 NOV 91	DL		RECEIVE ASSEMBLY 15 POSITION, RIGHT ANGLE FERRITE
11 NOV 91	DL		RECEIVE ASSEMBLY 15 POSITION, RIGHT ANGLE FERRITE
11 NOV 91	DL		RECEIVE ASSEMBLY 15 POSITION, RIGHT ANGLE FERRITE