

MOTOR START AC ELECTROLYTIC

MSC SERIES

The MSC Series is a range of AC electrolytic capacitors. These capacitors are most often used to provide the torque necessary to start AC motors and in other intermittent AC applications.

FEATURES:

- Two .250" Quick Connect terminals
- Round moisture and oil resistant plastic case
- 110VAC to 330VAC
- Quick disconnect terminals
- Recessed terminals
- Long life and high reliability

RATINGS

Capacitance Range:

110/125 Volts – 21 μ F to 1200 μ F

220/250 Volts – 21 μ F to 324 μ F

330 Volts – 21 μ F to 259 μ F

PERFORMANCE SPECIFICATIONS

Operating Temperature Range: -40°C to +65°C

Power Factor: 10% Max.; 12% \leq 30 μ F

Operating Frequency: 47 – 60Hz

MOUNTING

Vertical mounting of the capacitor with the terminals up is recommended. However, horizontal mounting is acceptable providing the vent is located in the up position. Vertical mounting with the terminals down is not recommended because the capacitor life may be reduced and the operation of the pressure relief vent impaired.

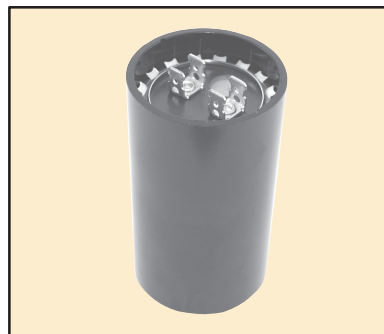
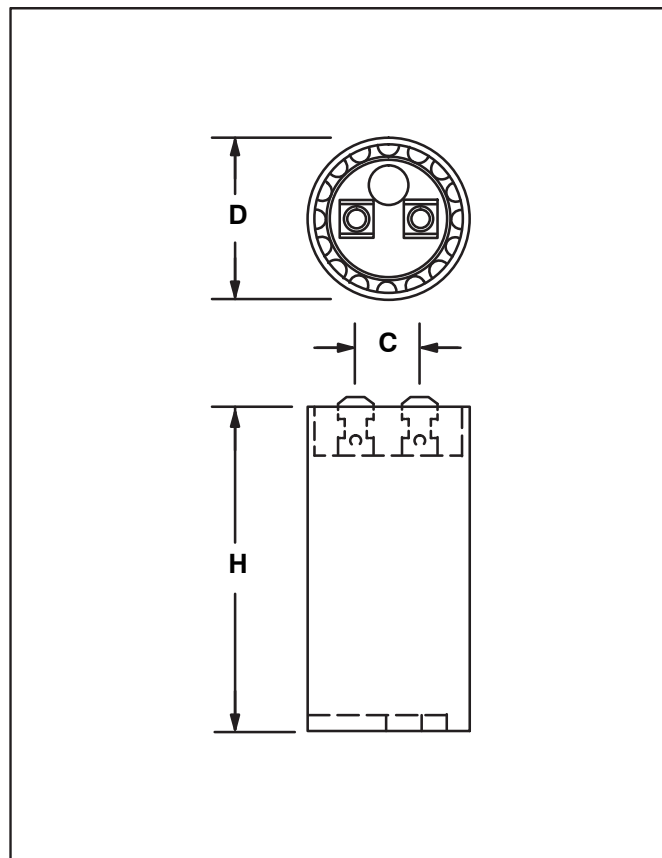
CLEANING

Solvent residues on the capacitors after cleaning may penetrate the seal and cause internal corrosion resulting in shortened life. Alcohol or water detergent cleaning is not usually harmful but halogenated cleaning solvents are not recommended and should be avoided.

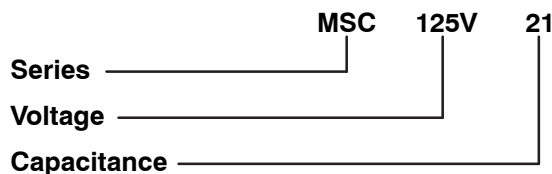
SAFETY

Because the watt-second value of these capacitors is high, precautions should be taken during the testing of these devices.

Discharge resistors should be specified when there is a possibility of a residual charge left on the capacitor or to protect contacts. Mis-application, such as exceeding design limits or applying continuous AC voltage, may result in destruction or explosion of capacitors.



ORDERING INFORMATION



MOTOR START AC ELECTROLYTIC

MSC SERIES

110/125VAC Ratings and Dimensions

NTE Type Number	Capacitance μF	Case Dimensions - Inch (mm)			Case Style
		D	H	C	
MSC125V21	21-25	1.438 (36.53)	2.75 (69.85)	0.50 (12.70)	E
MSC125V25	25-30	1.438 (36.53)	2.75 (69.85)	0.50 (12.70)	E
MSC125V30	30-36	1.438 (36.53)	2.75 (69.85)	0.50 (12.70)	E
MSC125V36	36-43	1.438 (36.53)	2.75 (69.85)	0.50 (12.70)	E
MSC125V43	43-52	1.438 (36.53)	2.75 (69.85)	0.50 (12.70)	E
MSC125V53	53-64	1.438 (36.53)	2.75 (69.85)	0.50 (12.70)	E
MSC125V72	72-86	1.438 (36.53)	2.75 (69.85)	0.50 (12.70)	E
MSC125V88	88-106	1.438 (36.53)	2.75 (69.85)	0.50 (12.70)	E
MSC125V108	108-130	1.438 (36.53)	2.75 (69.85)	0.50 (12.70)	E
MSC125V124	124-149	1.438 (36.53)	2.75 (69.85)	0.50 (12.70)	E
MSC125V145	145-174	1.438 (36.53)	2.75 (69.85)	0.50 (12.70)	E
MSC125V161	161-193	1.438 (36.53)	2.75 (69.85)	0.50 (12.70)	E
MSC125V189	189-227	1.438 (36.53)	2.75 (69.85)	0.50 (12.70)	E
MSC125V216	216-259	1.438 (36.53)	3.38 (85.85)	0.50 (12.70)	F
MSC125V233	233-280	1.438 (36.53)	3.38 (85.85)	0.50 (12.70)	F
MSC125V270	270-324	1.438 (36.53)	3.38 (85.85)	0.50 (12.70)	F
MSC125V324	324-389	1.438 (36.53)	4.38 (111.25)	0.50 (12.70)	G
MSC125V340	340-408	1.810 (45.97)	3.38 (85.85)	0.63 (16.00)	H
MSC125V378	378-454	1.810 (45.97)	3.38 (85.85)	0.63 (16.00)	H
MSC125V400	400-480	1.810 (45.97)	3.38 (85.85)	0.63 (16.00)	H
MSC125V460	460-552	1.810 (45.97)	3.38 (85.85)	0.63 (16.00)	H
MSC125V540	540-648	1.810 (45.97)	3.38 (85.85)	0.63 (16.00)	H
MSC125V590	590-708	1.810 (45.97)	4.38 (111.25)	0.63 (16.00)	J
MSC125V829	829-995	1.810 (45.97)	4.38 (111.25)	0.63 (16.00)	J
MSC125V1000	1000-1200	2.060 (52.32)	4.38 (111.25)	0.88 (22.35)	K

220/250VAC Ratings and Dimensions

NTE Type Number	Capacitance μF	Case Dimensions - Inch (mm)			Case Style
		D	H	C	
MSC250V21	21-25	1.438 (36.53)	2.75 (69.85)	0.50 (12.70)	E
MSC250V25	25-30	1.438 (36.53)	2.75 (69.85)	0.50 (12.70)	E
MSC250V30	30-36	1.438 (36.53)	2.75 (69.85)	0.50 (12.70)	E
MSC250V36	36-43	1.438 (36.53)	2.75 (69.85)	0.50 (12.70)	E
MSC250V43	43-52	1.810 (45.97)	3.38 (85.85)	0.50 (12.70)	F
MSC250V53	53-64	1.810 (45.97)	3.38 (85.85)	0.50 (12.70)	F
MSC250V72	72-86	1.810 (45.97)	3.38 (85.85)	0.63 (16.00)	H
MSC250V88	88-106	1.810 (45.97)	3.38 (85.85)	0.63 (16.00)	H
MSC250V108	108-130	1.810 (45.97)	3.38 (85.85)	0.63 (16.00)	H
MSC250V124	124-149	1.810 (45.97)	4.38 (111.25)	0.63 (16.00)	J
MSC250V130	130-156	1.810 (45.97)	4.38 (111.25)	0.63 (16.00)	J
MSC250V145	145-174	1.810 (45.97)	4.38 (111.25)	0.63 (16.00)	J
MSC250V161	161-193	2.060 (52.32)	4.38 (111.25)	0.88 (22.35)	K
MSC250V189	189-227	2.060 (52.32)	4.38 (111.25)	0.88 (22.35)	K
MSC250V216	216-259	2.060 (52.32)	4.38 (111.25)	0.88 (22.35)	K
MSC250V233	233-280	2.060 (52.32)	4.38 (111.25)	0.88 (22.35)	K
MSC250V270	270-324	2.060 (52.32)	4.38 (111.25)	0.88 (22.35)	K

MOTOR START AC ELECTROLYTIC

MSC SERIES

330VAC Ratings and Dimensions

NTE Type Number	Capacitance μF	Case Dimensions - Inch (mm)			Case Style
		D	H	C	
MSC330V21	21-25	1.438 (36.53)	2.75 (69.85)	0.50 (12.70)	E
MSC330V25	25-30	1.438 (36.53)	2.75 (69.85)	0.50 (12.70)	F
MSC330V30	30-36	1.438 (36.53)	2.75 (69.85)	0.50 (12.70)	F
MSC330V36	36-43	1.438 (36.53)	2.75 (69.85)	0.50 (12.70)	F
MSC330V43	43-52	1.438 (36.53)	3.38 (85.85)	0.50 (12.70)	F
MSC330V53	53-64	1.810 (45.97)	3.38 (85.85)	0.63 (16.00)	H
MSC330V72	72-86	1.810 (45.97)	4.38 (111.25)	0.63 (16.00)	J
MSC330V88	88-106	1.810 (45.97)	4.38 (111.25)	0.63 (16.00)	J
MSC330V108	108-130	2.060 (52.32)	4.38 (111.25)	0.88 (22.35)	K
MSC330V124	124-149	2.060 (52.32)	4.38 (111.25)	0.88 (22.35)	K
MSC330V145	145-174	2.060 (52.32)	4.38 (111.25)	0.88 (22.35)	K
MSC330V161	161-193	2.560 (65.02)	4.38 (111.25)	0.88 (22.35)	L
MSC330V189	189-227	2.560 (65.02)	4.38 (111.25)	0.88 (22.35)	L
MSC330V216	216-259	2.560 (65.02)	4.38 (111.25)	0.88 (22.35)	L