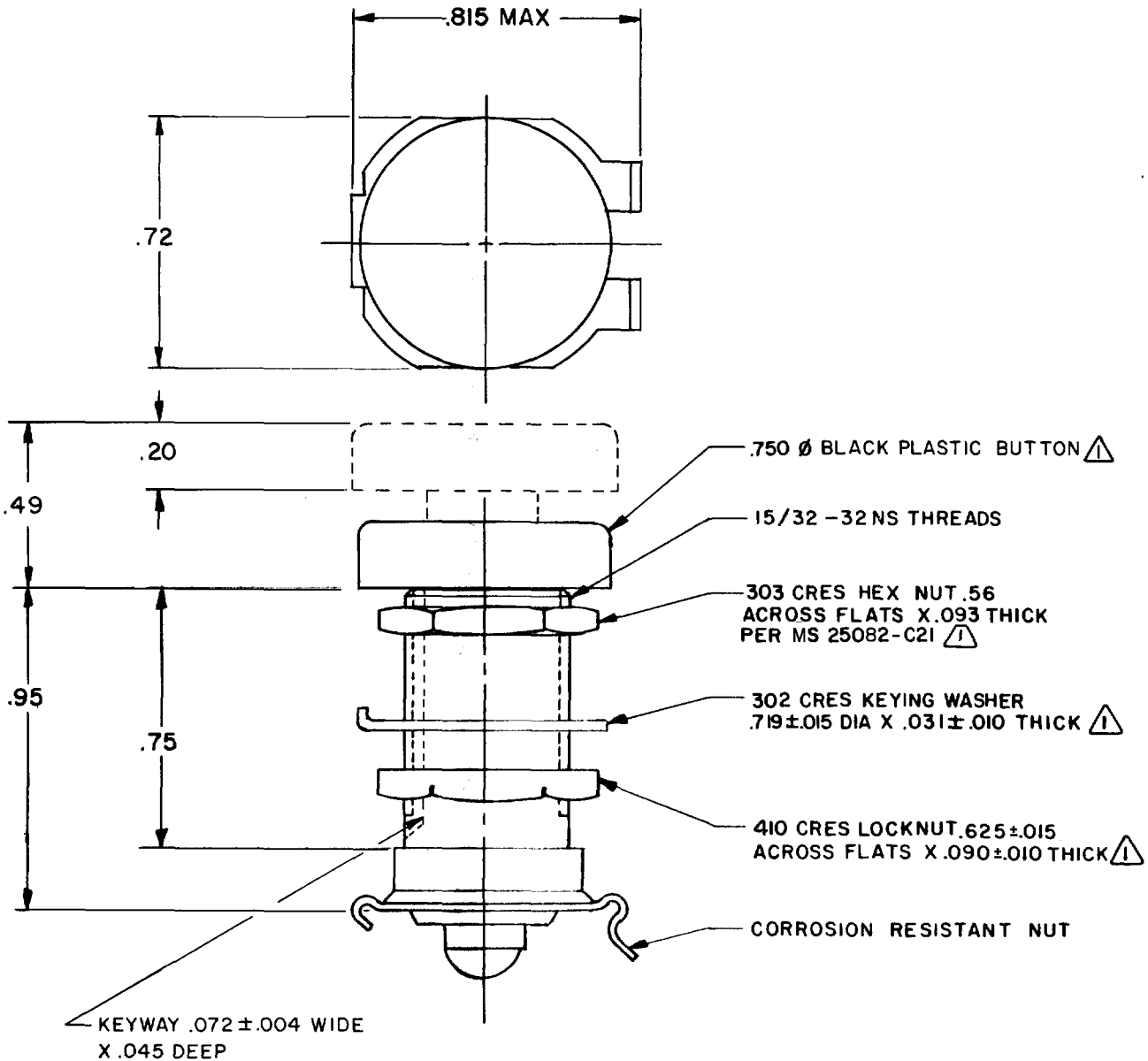


DRAWING NUMBER: **6A49**
 PAGE 1 OF 1
 ISSUE: **5**
 REVISIONS:
 A CO-46696 KAK 24 OCT 79
 B CO-61908 J A P 8 JUL 87
 C CO-93162 CCK 25 JUN 98
 D CO-94118 DLT 10 MAR 99
 CHECK MLD 7 DEC 66
 CHECK MLD 7 DEC 66
 CHECK L S D 4 OCT 66
 WEG 4 OCT 66
 DRAWN
 FORMTEK
 FO-50378



NOTE
 △ BUTTON AND HARDWARE FURNISHED UNASSEMBLED

THIS DRAWING COVERS A PROPRIETARY ITEM AND IS THE PROPERTY OF MICRO SWITCH, A DIVISION OF HONEYWELL. THIS DRAWING IS NOT TO BE COPIED OR USED WITHOUT THE APPROVAL OF MICRO SWITCH.

CHARACTERISTICS

ELECTRICAL DATA

SCALE 2 TO 1

CONTACT ARRANGEMENT

DO NOT SCALE PRINT

UNLESS OTHERWISE NOTED
 DIMENSIONS ARE IN INCHES
TOLERANCES ARE:

ONE PLACE	(.0)	±.030
TWO PLACE	(.00)	±.015
THREE PLACE	(.000)	±.005
ANGLES		±

WEIGHT