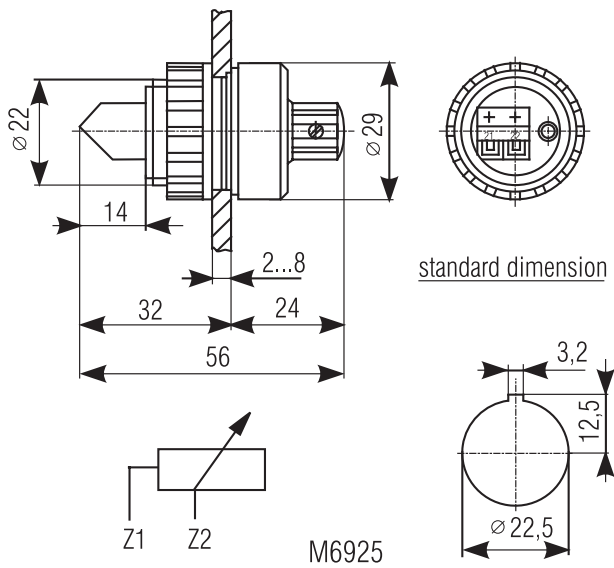


External Potentiometer AD3



Application

- For remote setting of the time delay

Technical data:

Resistance: 10 k Ω

Degree of protection, front side: IP 60

Type	Order Ref.	Resistance	Unit Price			
			1+	10+	50+	250+
0028962	9513949	10 k Ω	00000	00000	00000	00000
0004082	0000000	1 k Ω	00000	00000	00000	00000