

Quartz Crystals — continued

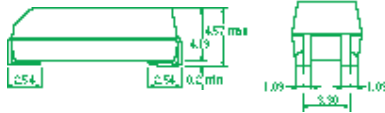
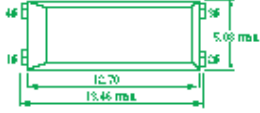
Surface Mount Crystals



A range of plastic encapsulated surface mount crystals.

- Drive level: 10µW to 100µW
- Standard frequency tolerance: ±50ppm @ 25°C
- Standard frequency stability: ±50ppm
- Operating temperature range: -20°C to +70°C
- Can style: MA506

Mfrs. List No. MA506 + Frequency in MHz



Frequency MHz	Load Cap
4.0	16pF
6.0	30pF
8.0	16pF
12.0	30pF
14.31818	30pF
16.0	20pF
20.0	20pF

Order Code	Price Each			
	1+	10+	100+	250+
562-853				
562-865				
562-877				
562-889				
563-225				
562-890				
563-237				

SEIKO EPSON SEM256

ACT Frequency Control Manual..... Order Code 571-751. 14.34 each

Surface Mount Crystals



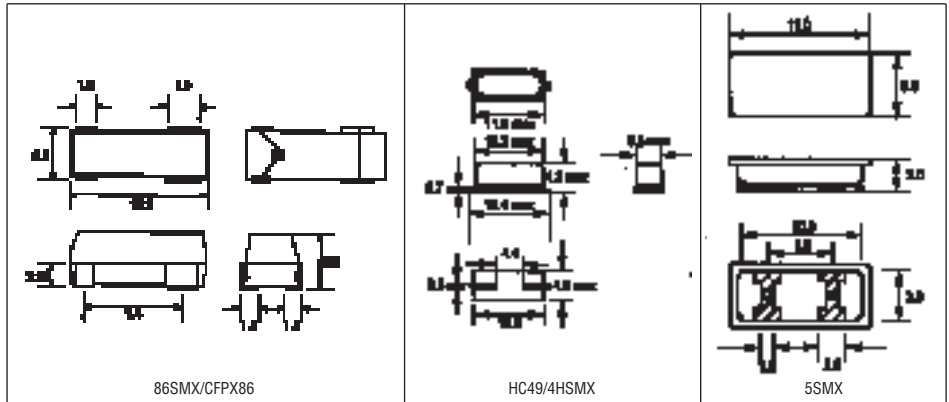
86SMX/CFPX86



5SMX

HC49/4HSMX

A range of quality surface mount crystals.



86SMX/CFPX86

HC49/4HSMX

5SMX



SEM145



Frequency MHz	Can Style	Frequency Accuracy ± ppm @ 25°C	Temp. Stability ± ppm	Temperature Range °C	Load Cap	Mfrs. List No.
3.579545	86SMX	±50	±100	-20 to +70	20pF	A119D
3.579545	5SMX	±30	±50	-10 to +60	20pF	A119F
3.579545	CFPX86	±50	±100	-20 to +70	20pF	A452B
3.579545	HC49/4HSMX	±30	±50	-10 to +60	16pF	A119E
3.686400	86SMX	±50	±100	-20 to +70	16pF	A169B
3.686400	CFPX86	±50	±100	-20 to +70	16pF	A453B
3.686400	HC49/4HSMX	±30	±50	-10 to +60	16pF	A169E
4.000000	86SMX	±50	±100	-20 to +70	30pF	A120C
4.000000	5SMX	±30	±50	-10 to +60	30pF	A120F
4.000000	CFPX86	±50	±100	-20 to +70	30pF	A454B
4.000000	HC49/4HSMX	±30	±50	-10 to +60	16pF	A120E
4.915200	86SMX	±50	±100	-20 to +70	16pF	A127C
4.915200	CFPX86	±50	±100	-20 to +70	16pF	A455B
4.915200	HC49/4HSMX	±30	±50	-10 to +70	16pF	A127E
6.000000	HC49/4HSMX	±30	±50	-10 to +70	16pF	A132S
8.000000	86SMX	±50	±100	-20 to +70	16pF	A140C
8.000000	CFPX86	±50	±100	-20 to +70	16pF	A458B
8.000000	HC49/4HSMX	±30	±50	-10 to +60	16pF	A140E
10.00000	HC49/4HSMX	±30	±50	-10 to +70	16pF	A143G
11.05920	HC49/4HSMX	±30	±50	-10 to +70	16pF	L108E
12.00000	86SMX	±50	±100	-20 to +70	16pF	A158D
12.00000	CFPX86	±50	±100	-20 to +70	16pF	A460B
12.00000	HC49/4HSMX	±30	±50	-10 to +70	16pF	A158E
16.00000	86SMX	±50	±100	-20 to +70	Series	A161E
16.00000	5SMX	±30	±50	-10 to +60	16pF	A161M
16.00000	CFPX86	±50	±100	-20 to +70	Series	A462B
16.00000	HC49/4HSMX	±30	±50	-10 to +60	16pF	A161G
20.00000	HC49/4HSMX	±30	±50	-10 to +70	16pF	A147E

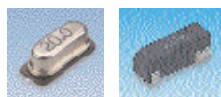
Order Code	Price Each		
	1+	10+	100+
295-978			
639-643†			
332-5003			
639-590			
295-980			
332-5118			
639-606			
295-991			
639-618†			
332-5210			
639-564			
296-004			
332-5222†			
332-5260			
332-5271			
296-030			
332-5234			
639-576			
332-5283			
332-5295			
296-041			
332-5246			
332-5301			
296-053			
639-631†			
332-5258			
639-588			
332-5313			

† Available until stocks are exhausted

MiniReel™
86SMX, HC49/4HSMX



Tape width = 24mm



HC49/4HSMX

86 SMX

- 100mm reel size
- 100 pieces on each reel
- Ideal for pre-production, prototyping and production shortfalls
- Complete with leader tape
- Surface mount quartz crystals
- Parallel resonant (16pF load cap), except 344-8794 (series)

FOR DEVICE SPECIFICATION, SEE ABOVE

SEM901

100 Pieces Per Reel

Frequency MHz	Can Style	MiniReel. List No.	Order Code	Price Per Reel		
				1+	3+	5+
3.686400	86SMX	A169B-MR	344-8745			
3.686400	HC49/4HSMX	A169E-MR	344-8757			
4.000000	HC49/4HSMX	A120E-MR	344-8769			
8.000000	HC49/4HSMX	A140E-MR	344-8770			
12.000000	86SMX	A158D-MR	344-8782			
16.000000	86SMX	A161E-MR	344-8794			
16.000000	HC49/4HSMX	A161G-MR	344-8800			