

## Absolute Contacting Encoder – ACE



- Low cost panel or PCB mounting
- Absolute contacting encoder giving 8 bit parallel grey code output of each of 128 rotary positions
- May be interfaced directly with a microprocessor
- Removes the need for the pulse counting/direction discrimination software required for incremental encoders
- Technical support for output code truth table

H = 27.9, W = 22.2,  
L = 8.8 (body above PCB)  
Spindle and bush = 19, Bush = M9

Output	8 bit grey code	Rotational life	50,000 shaft revolutions
Positions per revolution	128	Mechanical rotation	Continuous
Contact rating	10mA @ 10V or 0.1W	Operating temperature	-40°C to +125°C
Dielectric strength	1000V AC minimum	Max operating speed	120 rpm
Insulation resistance	≥1000 M ohm		

Mfrs. List No. EAWOJ-B24-AE0128

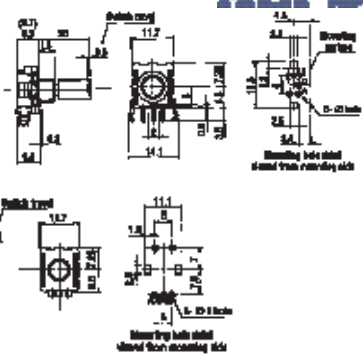
RP217

Order Code	Price Each			
	1+	25+	50+	100+
.700-5258				

## Low Profile 11mm sq



Bush = M7 0.75



- Low profile, high precision audio type encoder
- PCB or chassis mounting with momentary switch

Mfrs. List No. EC11B Series

Voltage rating	5V d.c.
Maximum current	10mA
Rotational life	15,000 cycles
Output signal	Channel A leads Channel B by 60° +/-30° clockwise rotation

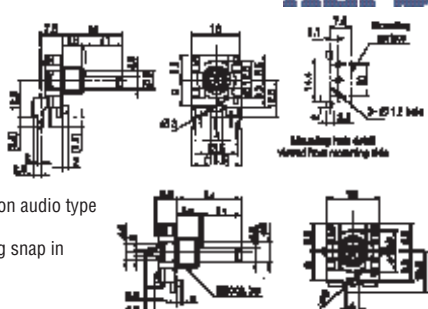
RP192

	Order Code	Price Each				
		1+	10+	50+	100+	250+
Horizontal	.733-726					
Vertical	.733-738					

## Low Profile 16mm sq



Bush = M9 0.75



- Low profile, high precision audio type encoder
- PCB or chassis mounting snap in design

Voltage rating	5V d.c.
Maximum current	10mA
Rotational life	100,000 cycles
Output signal	Channel A leads channel B by 54° +/-30° clockwise rotation

Mfrs. List No. EC16B Series

RP191

	Order Code	Price Each				
		1+	10+	50+	100+	250+
Horizontal	.733-740					
Vertical	.733-751					

## EC Series Digital Contacting Encoder



Body D = 27.6, W = 22.2, H = 7.4  
Shaft = 19.0 (inc bush) 6.32 dia,  
Bush=M9x0.75

- Low cost digital contacting encoders, long operating life and high operating temperature characteristics
- 2 bit gray code output is produced, channel A leads channel B by 90° (clockwise)
- Optional snap-on PCB mounting bracket

Contact rating	10mA @ 10V, or 0.1W	Maximum operating speed	120 rpm
Voltage rating	350V ac (or limited by power dissipation whichever <)	Rotational life	200,000 revs
Dielectric strength	1000V ac	Mechanical rotation	Continuous
		Insulation resistance	>1000MΩ
		Operating temperature	+1°C to +125°C

Cycles Per Revolution	Detents	Mfrs. List No.	Order Code
6	24	ECW0J-B24-AC0006	109-111
24	24	ECWIJ-B24-AC0024	109-113

RP130

	Order Code	Price Each			
		1+	25+	50+	100+
Encoder, 6 cycles	.109-111				
Encoder, 24 cycles	.109-113				
PCB mounting bracket	.219-113				

## 110E Series Mechanical Encoders



H = 21, W = 27, D = 8.7  
Shaft = 3/8" (incl. bush) x 1/4"  
Mounting bush = 3/8" x 32 UNEF-2A

- Low cost mechanical encoders
- 2 or 4 bit gray code output
- 2 bit, channel L leads channel R by 90° electrically, CW rotation
- 4 bit, absolute electrical position output
- Horizontal or vertical PCB mounting
- Optional PCB mounting brackets
- Panel fixing hardware (nut & washer) supplied separately

Contact rating	250mA @ 28V dc	Mechanical rotation	Continuous
Switch current	1.5mA @ 115V dc	Maximum rotational speed	50 rpm
	150mA @ 14V dc	Rotational life	100,000 detented revolutions
Dielectric strength	1000V ac	Operating temperature	-40°C to +105°C

Gray Code Output	Cycles Per Revolution	No. of Detents	Mfrs. List No.	Order Code
<b>Horizontal</b>				
2 bit	4	16	110E1A48F204PB	328-2223
2 bit	6	24	110E1A48F206PB	328-2235
2 bit	9	36	110E1A48F209PB	328-2247
4 bit	16	16	110E1A48F416PB	328-2259
<b>Vertical</b>				
2 bit	4	16	110E1A48F204PC	328-2260
2 bit	6	24	110E1A48F206PC	328-2272
2 bit	9	36	110E1A48F209PC	328-2284
4 bit	16	16	110E1A48F416PC	328-2296

RP311

	Order Code	Price Each			
		1+	10+	50+	100+
<b>Horizontal Encoders</b>					
2 bit 4 cycles	328-2223				
2 bit 6 cycles	328-2235				
2 bit 9 cycles	328-2247				
4 bit 16 cycles	328-2259				
<b>Vertical Encoders</b>					
2 bit 4 cycles	328-2260				
2 bit 6 cycles	328-2272				
2 bit 9 cycles	328-2284				
4 bit 16 cycles	328-2296				
<b>PCB Mounting brackets</b>					
Horizontal	328-2302				
Vertical	328-2314				
<b>Panel Fixing Hardware Set</b>					
	328-2326				

continued