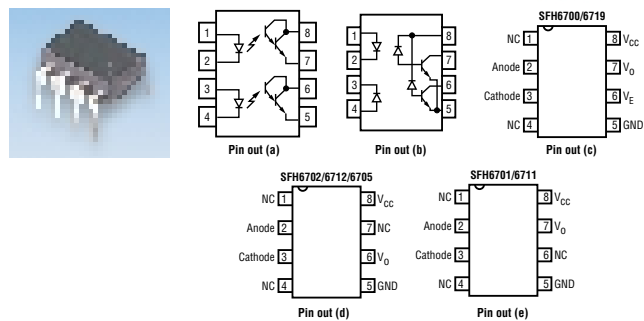


Optocouplers — Continued

Transistor Output – continued

Mfrs. List No.	Order Code	1+	25+	100+	250+	500+
TCDT1122	315-2297					
TCDT1122G	315-2303					
TCDT1123	315-2315					
TCDT1123G	315-2327					
TCDT1124	315-2339					
TCDT1124G	315-2340					
High Voltage Transistor Output						
H11D1	326-306					
SFH640-2	264-866					
AC Input, Transistor Output						
H11AA1	461-003					
TLP630	624-068					
CMOS Compatible Input, Transistor Output						
H11AG1	326-343					
SFH608-4	254-850					

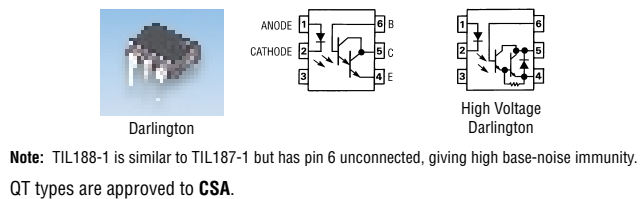
Single and Dual, Transistor Output and Logic Output, High Speed



Channels	Pin Out	Isolation ac Test Voltage (V _{rms})	Curr. trsfr Ratio min (%)	@ I _F (mA)	Switching Time (μs) typ.	t _{PHL}	t _{PLH}	Mfrs. List No.	Order Code
Transistor Output - High Speed									
Single	—	5300	19	16	0.5	0.3		SFH6136	325-788
Single	d	5300	19	16	0.3	0.3		SFH6345	567-796
Dual	b	2500	16	16	0.3	0.3		SFH6325	143-492
Channels	Pin Out	CMR(min.) (V/us)	Input On-Current (mA)	Prop. Delay (ns) typ.	t _{PHL}	t _{PLH}	Mfrs. List No.	Order Code	
Logic Output - High Speed - 5Mbit/sec									
Single	c	1000	50	5	115	125	SFH6700	143-534	
Single	c	2500	400	5	115	125	SFH6719	143-583	
Single	d	1000	50	5	115	125	SFH6705	248-812	
Single	e	1000	50	5	115	125	SFH6701	248-824	
Single	d	1000	50	5	115	125	SFH6702	248-836	
Single	e	2500	400	5	115	125	SFH6711	248-848	
Single	d	2500	400	5	115	125	SFH6712	248-850	

Mfrs. List No.	Order Code	1+	25+	100+	250+	500+
Transistor Output						
SFH6136	325-788					
SFH6345	567-796					
SFH6325	143-492					
Logic Output						
SFH6700	143-534					
SFH6719	143-583					
SFH6705	248-812					
SFH6701	248-824					
SFH6702	248-836					
SFH6711	248-848					
SFH6712	248-850					

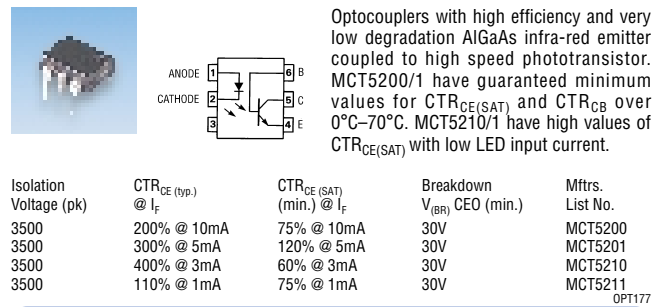
Darlington Output



Isolation Voltage (pk) (*dc)	Curr. Trsfr. Ratio @ I _F = 10mA min.	Breakdown V _(BR) CEO min.	Switching Time (μs) typ. t _r	t _f	Mfrs.	Mfrs. List No.
Darlington Output						
2500	500%	30	5	100	Toshiba	4N32 (SHORT)
2500	500%	30	5	100	QT	4N32-QT
1500	500%	30	0.6	5	QT	4N33-M
1500	500%	30	5	100	QT	4N33
4400*	600%	30	5	30	QT	CNX48
2500	500%	25	125	100	QT	H11B1
High Voltage Darlington Output						
3535	1000%	100	5	100	QT	H11G1
3535	1000%	80	5	100	QT	H11G2
3535	1000%	55	5	100	QT	H11G3
AC Input, Darlington Output						
3535	500%	55	100	100	TI	TIL188-1

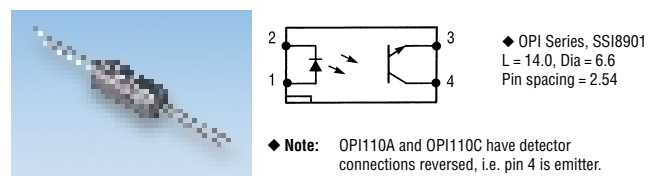
Mfrs. List No.	Order Code	1+	25+	100+	250+	500+
Darlington Output						
4N32 (SHORT)	624-081					
4N32-QT	326-380					
4N33	NEW 333-0163	1+	25+	100+	250+	500+
4N33-QT	326-409	1+	25+	100+	250+	500+
CNX48	326-525					
H11B1	326-410					
High Voltage Darlington Output						
H11G1	326-434	1+	25+	100+	250+	500+
H11G2	326-446					
H11G3	326-458					
AC Input, Darlington Output						
TIL188-1	326-574	1+	25+	100+		

Transistor Output



Isolation Voltage (pk)	CTR _{CE} (typ.) @ I _F	CTR _{CE(SAT)} (min.) @ I _F	Breakdown V _(BR) CEO (min.)	Mfrs. List No.
3500	200% @ 10mA	75% @ 10mA	30V	MCT5200
3500	300% @ 5mA	120% @ 5mA	30V	MCT5201
3500	400% @ 3mA	60% @ 3mA	30V	MCT5210
3500	110% @ 1mA	75% @ 1mA	30V	MCT5211

Transistor Output – 10kV Isolation



OPTEK types are VDE approved and UL recognised. SS18901 and OPI1264D are BASEEFA approved.

Isolation Voltage	Curr. Trsfr. Ratio (min.) @ I _F	Breakdown V _(BR) CEO	Mfrs.	Mfrs. List No.
10,000V dc	25% @ 10mA	30V	Optek	OPI1264A
10,000V dc	100% @ 10mA	30V	Optek	OPI1264C
10,000V dc	100% @ 1mA	30V	Bedford	OPI1264D
10,000V dc	25% @ 10mA	30V	Optek	OPI110A
10,000V dc	100% @ 10mA	30V	Optek	OPI110C
10,000V dc	25% @ 10mA	30V	Bedford	SS18901

Mfrs. List No.	Order Code	1+	25+	100+	250+
OPI1264A	326-630				
OPI1264C	232-520				
OPI1264D	232-440				
OPI110A	232-531				
OPI110C	232-543				
SS18901	179-223				