

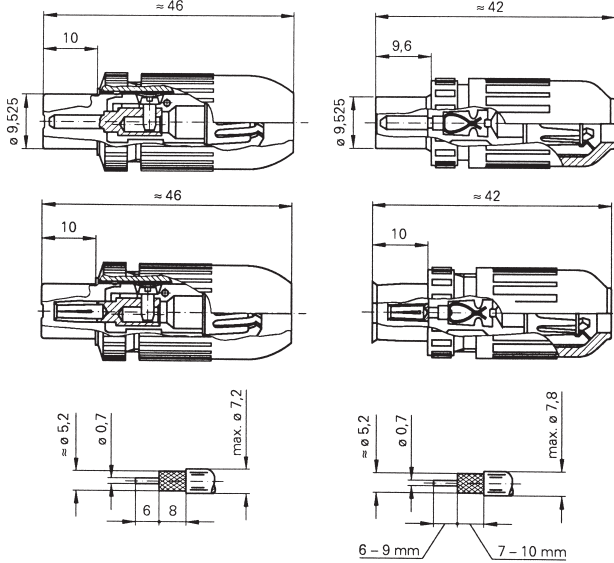
Television Style Coaxial

TV Coaxial KOS, KOK



- Television style coaxial connectors
- Manufactured to **DIN45325/IEC169-2**
- Suitable for wide band reception
- Good RFI screening

Frequency range: DC to 862MHz
Screening Up to 470Hz >75dB
470Hz to 862MHz >70dB
≈ 42



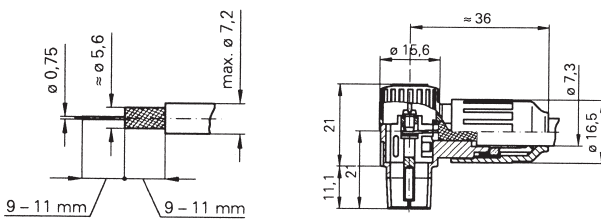
crf146

Central Terminal	Mfrs. List No.	Order Code	1+	10+	50+	100+
Free Plug						
Solder	KOS1Z	822-565				
Screw	KOS3N	822-577				
Free Socket						
Solder	KOK1Z	822-589				
Screw	KOK3N	822-590				

TV Coaxial KOSWI, KOKWI



- Television style coaxial connectors 90°
- Manufactured to **DIN45325/IEC169-2**
- Suitable for wide band reception
- Screw terminal for central conductor
- Good RFI screening

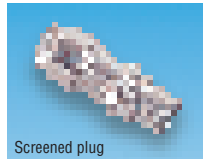


Frequency range DC to 2400 MHz
Screening Up to 862MHz >75dB
862MHz to 1750MHz >65dB
1750MHz to 2400MHz >60dB

crf145

Mfrs. List No.	Order Code	1+	10+	50+	100+
Free Plug	KOSWI3	822-607			
Free Socket	KOKWI3	822-619			

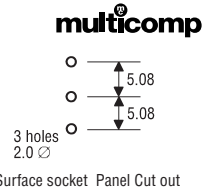
Industrial Quality 75Ω



Screened plug
L = 33.3, Dia = 14.3



Surface socket
L = 25.9



Best value

FOR SUITABLE COAXIAL CABLES, SEE UR202, UR203 GROUP 052/028 **PAGE 138**

Order Code	Price Each					
	1+	50+	100+	250+	500+	1K+
Plugs						
Aluminium	310-270					
Nickel	310-281					
Surface Sockets						
Nickel	310-323					

crf80

Best Value 75Ω



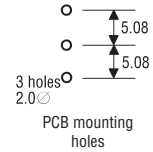
Insulated plug L = 32.5, Dia = 16.4
Plug L = 32.5, Dia = 14.5
Cable socket L = 31.5, Dia = 14.5

Cable entry = 8.0 max

Best value



PCB socket Height above PCB = 12.9
Insulated Straight adaptor (F-F) L = 22.5, Dia = 14.5



A low cost range of coaxial connectors and adaptors. Plugs available in aluminium or insulated plastic with screw on body shells. PCB socket in tinned steel.

FOR SUITABLE COAXIAL CABLE SEE UR202, UR203 GROUP 052/028 **PAGE 138**

Order Code	Price Each					
	3+	48+	96+	300+	600+	900+
Plug						
Insulated white	150-861					
Aluminium	150-862					
Sockets						
Cable	150-863					
PCB	150-864					
Insulated adaptor						
Straight (F-F)	233-900					

crf82

Right Angled Screened



H = 32mm W = 19mm D = 21mm

- Snap together body
- Cable size up to 8.25mm

Best value

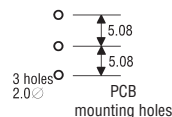
Order Code	Price Each					
	1+	10+	50+	100+	500+	1000+
Plug	300-8381					
Socket	300-8393					

crf151

PCB Sockets and Adaptor 75Ω



Insulated Adaptor



Best value

FOR PANEL/PCB DRILLING PATTERNS SEE ABOVE

crf81