

No. of Ways	Mftrs. List No.	Order Code	Price Each			
			1+	10+	25+	50+
Free Socket						
3	T01-0550-S03	.130-771				
4	T01-0550-S04	.130-783				
5	T01-0550-S05	.130-795				
7	T01-0550-S07	.130-801				
8	T01-0550-S08	.130-813				
Panel Plug – Solder Bucket Contact						
3	T01-0580-P03	.130-850				
4	T01-0580-P04	.130-862				
5	T01-0580-P05	.130-874				
7	T01-0580-P07	.130-886				
8	T01-0580-P08	.130-898				
Panel Socket – Solder Bucket Contact						
3	T01-0580-S03	.130-904				
4	T01-0580-S04	.130-916				
5	T01-0580-S05	.130-928				
7	T01-0580-S07	.130-930				
8	T01-0580-S08	.130-941				
Straight PCB Socket						
3	T01-0570-S03	.131-052				
4	T01-0570-S04	.131-064				
5	T01-0570-S05	.131-076				
7	T01-0570-S07	.131-088				
8	T01-0570-S08	.131-090				
90 PCB Plug						
3	T01-0560-P03	.130-825				
4	T01-0560-P04	.130-837				
5	T01-0560-P05	.130-849				
90 PCB Socket						
3	T01-0560-S03	.131-027				
4	T01-0560-S04	.131-039				
5	T01-0560-S05	.131-040				
Dust Caps						
Plug	T01-0500-P	.130-953				
Socket	T01-0500-S	.130-965				
Accessories						
T adaptor	T01-05T-SSP03-T	972-046				
Terminator	T01-05R-P03-120	972-058				

Cable Assembly

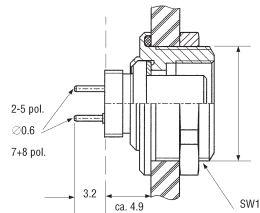
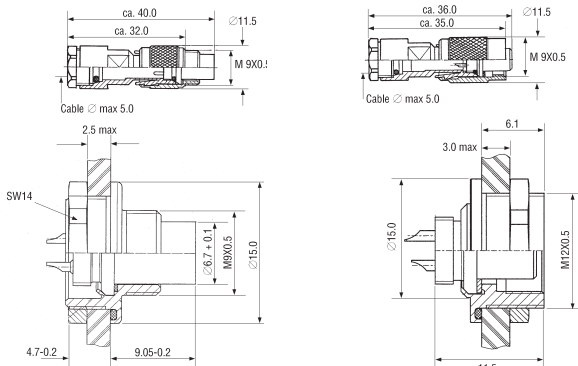
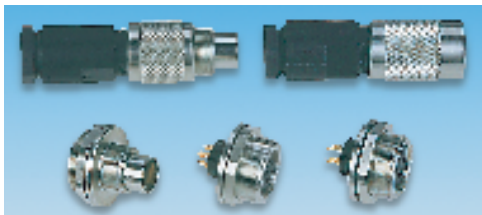


tyco / Electronics / TRIAD 01

- Overmoulded 3 metre cable assembly
- Pre-wired with plug and socket
- 3 through to 8 way
- Ready to use and interfaces with panel, pcb plugs and sockets

No. of Ways	Mftrs. List No.	Order Code	Price Each			
			1+	10+	25+	50+
3	T01-0599-B03-B	.130-977				
4	T01-0599-B04-B	.130-989				
5	T01-0599-B05-B	.130-990				
7	T01-0599-B07-B	.131-003				
8	T01-0599-B08-B	.131-015				

Subminiature Circular ‘Series 712’



- A range of small rugged connectors
- Free plug and socket incorporate cable clamp pinch ring
- IP67 rating when mated

Contact rating	3A @ 60V ac 1A @ 60V ac	(2, 3, 4, & 5 way) (7 & 8 way)
Contact resistance	≤ 2mΩ ≤ 5mΩ	(2, 3, 4 & 5 way) (7 & 8 way)
Insulation resistance	> 10 ¹⁰ Ω	
Capacitance between adjacent contacts		1.5pF
Temperature range	-40°C to +85°C	
Housing	Brass nickel plated	
Dielectric	PETP	
Contact (socket)	Copper/ tin alloy, gold over nickel plating	
Contact (pins)	Copper/ zinc alloy, gold over nickel plating	
Max. wire size	0.25mm ² (2, 3, 4 & 5 way) 0.14mm ² (7 & 8 way)	
Max. cable diameter	5mm	

Note: IP67 protection only when mated

CM159X

No. of Ways	Mftrs. List No.	Order Code	Price Each				
			1+	20+	50+	100+	500+
Free Plug - Solder Bucket Contacts							
2	99-0401-00-02	658-730					
3	99-0405-00-03	658-741					
4	99-0409-00-04	658-753					
5	99-0413-00-05	658-765					
7	99-0421-00-07	658-777					
8	99-0425-00-08	658-789					
Free Plug - Right Angle - Solder Bucket Contacts							
2	99-0401-70-02	307-4079					
3	99-0405-70-03	307-4080					
4	99-0409-70-04	307-4092					
5	99-0413-70-05	307-4109					
7	99-0421-70-07	307-4110					
8	99-0425-70-08	307-4122					
Free Socket - Solder Bucket Contacts							
2	99-0402-00-02	658-790					
3	99-0406-00-03	658-807					
4	99-0410-00-04	658-819					
5	99-0414-00-05	658-820					
7	99-0422-00-07	658-832					
8	99-0426-00-08	658-844					
Panel Plug - Solder Bucket contacts							
2	09-0403-00-02	658-856					
3	09-0407-00-03	658-868					
4	09-0411-00-04	658-870					
5	09-0415-00-05	658-881					
7	09-0423-00-07	658-893					
8	09-0427-00-08	658-900					
Free Socket - Right Angle - Solder Bucket Contacts							
2	99-0402-70-02	307-4134					
3	99-0406-70-03	307-4146					
4	99-0410-70-04	307-4158					
5	99-0414-70-05	307-4160					
7	99-0422-70-07	307-4171					
8	99-0426-70-08	307-4183					
Panel Socket - Solder bucket contacts							
2	09-0404-80-02	658-911					
3	09-0408-80-03	658-923					
4	09-0412-80-04	658-935					
5	09-0416-80-05	658-947					
7	09-0424-80-07	658-959					
8	09-0428-80-08	658-960					
Panel Socket - Dip soldering contacts							
2	09-0404-90-02	658-972					
3	09-0408-90-03	658-984					
4	09-0412-90-04	658-996					
5	09-0416-90-05	659-009					
7	09-0424-90-07	659-010					
8	09-0428-90-08	659-022					
Protective Cap							
Panel Plug							
	08-0351-00-01	307-4201					
Panel Socket							
	08-0352-00-01	307-4213					

continued