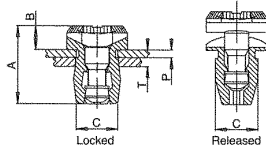


Sheet Material Fasteners — continued

Arrow Kit



- Snap-fit stud/receptacle
- Fits into square hole
- Corrosion-resistant acetyl
- Push to lock, quarter turn to unlock
- Up to 5mm grip range
- Assembly captive in panel – cannot be lost



Manufactured in plastic for use on lightly-loaded access panels. Both stud and receptacle are retained in the top panel when the assembly is undone.

Total Thickness Max./Min.	Top Panel Thickness Max./Min.	Panel Mounting Hole Max./Min.	Support Mounting Hole Max./Min.	A	B	C	D	E
5.0/2.0	1.7/0.5	9.2sq/9.1sq	9.6sq/9.5sq	17.2	5.2	9.5	13.4	2.1

Recommended maximum axial load 50N (11 lbf)
 Ultimate axial load 250N (56 lbf)
 Recommended maximum shear load 125N (28 lbf)
 Ultimate shear load 625N (140 lbf)
 Hole misalignment ± 0.5mm (.020")
 Operating temperature range -20°C to +80°C

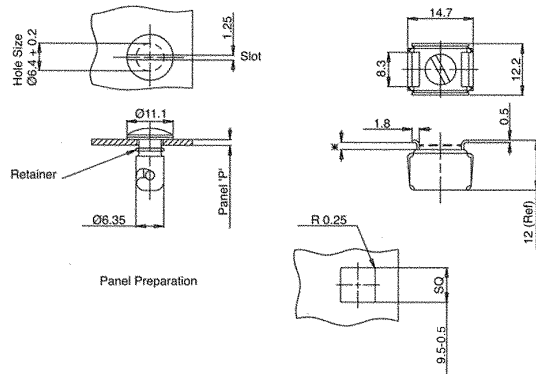
FAS60

Order Multiple=10	Price Each				
Order Code	10+	50+	100+	500+	1000+
706-8992					

Standard Kit



- Quarter turn to lock/unlock
- Cage nut-type receptacle
- Stud captive in panel
- Positive lock feature
- Fits square hole
- Slotted head – coin operable
- Steel, zinc plate, chromate passivation



Safe load without distortion 27 kg (60 lbf) Minimum pitching 12.7 mm (.50")
 Working tension – Min. 5 kg (11 lbf) Panel/support face gap 0.5 mm (.02")
 Ultimate load 120 kg (264 lbf)

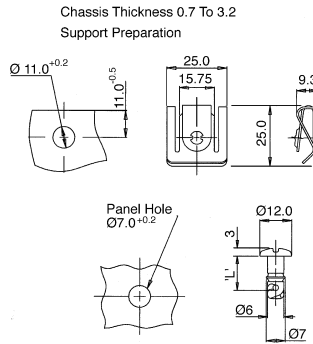
FAS61

Order Multiple=10	Price Each				
Order Code	10+	50+	100+	500+	1K+
706-9005					

Panex Kit



- Quarter turn to lock/unlock
- Slip on receptacle
- Stud captive in panel – cannot be lost
- Positive lock feature
- Slotted head – coin operable
- Steel, zinc plate, chromate passivation



FAS62

Order Multiple=10	Price Each					
Size mm	Order Code	10+	50+	100+	500+	1K+
11	706-9066					
12	706-9078					

Spring Tension Pins



- Used for hinges as dowels or retaining pins
- Supplied in packs of 4 different lengths of the same diameter

H182X

Size (mm)	Lengths (mm)	Qty. Each Length	Order Code	1+	5+	25+	50+	100+	250+
2	8, 12	30	.764-334						
	18, 20								
2.5	8, 12	30	.764-346						
	18, 20								
3	10, 16	30	.764-358						
	24, 30								
3.5	10, 16	25	.764-360						
	24, 30								
4	12, 24	20	.764-371						
	35, 40								
5	12, 24	15	.764-383						
	35, 40								

Split Cotter Pins

Bright Zinc-Plated



- Manufactured to BS1574

Kit also available. Contents:

Nom. Dia.	Length	Qty	Nom. Dia.	Length	Qty
0.8	20	150	2.5	36	150
1.2	25	150	3.2	45	100
1.6	28	150	4.0	50	100
2.0	32	150			

H258

100 Per Pack	Price Per Pack						
No. Dia mm/inches	Length	Order Code	1+	5+	10+	25+	50+
0.8/32	20	722-4679					
1.2/36	25	722-4680					
1.6/36	28	722-4692					
2.0/36	32	722-4709					
2.5	36	722-4710					
3.2/36	45	722-4722					
4.0/32	50	722-4734					
Kit		722-4746	1+	5+	10+	25+	